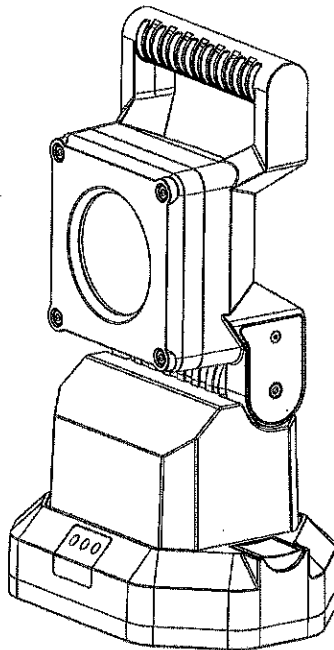


EFFEKTA

INSTRUCTION MANUAL

Rechargeable LED hand lamp

Art.no: 929049



Intended Use**Handlampa HX LED**

lamp is a self-contained lamp designed with LED technology for durable performance, power efficiency and structural robustness.

Delivery content:

Rechargeable LED hand lamp PL-828-3W, Wall charging base, 230 V-power supply, instruction manual.

Safety Instructions!

Please read all the instructions before using this device, they include important information on its correct operation. In cases of damage incurred by disregarding this instruction manual, the warranty is void. We do not accept any liability for any damage in consequence! We do not accept liability for any damage to property or personal injury caused by improper handling or non-compliance with the safety instructions! Any warranty claim will be void in this case.

- For safety and licensing (CE) reasons, unauthorised conversion and/or modifications to the product are not permitted.
- To avoid eye injuries, do not look at the light source or point the light at persons or animals.
- The product should be kept out of the reach of children! There is a risk for a fatal electric shock.
- Do not carelessly leave the packaging material lying around since this may become a dangerous toy for children.
- The product shall not be operated under adverse circumstances such as: Temperatures above 40°C, inflammable gas, solvents, vapors, dust, humidity over 80% rel. or water.
- If there can be assumed that operation of the unit under safe circumstances is no longer possible, unplug the unit immediately and make sure that it not put into operation inadvertently. Operating the unit becomes unsafe when the unit does not show any signs of working or has been visibly damaged, when damage has occurred during transport of after storing the unit under unfavorable circumstances.
- Service and repairs must be conducted by authorized personnel only.

Product description

It is built with a high power LED and powered by a light, highly compact and high capacity Lithium Ion battery.

The lamp is easily operated with one switch that turns on/off light and set in power save mode. The length of lighting time is increased when the power save mode is activated with the same switch. The direction of light beam is adjustable at various angles to meet the users' need.

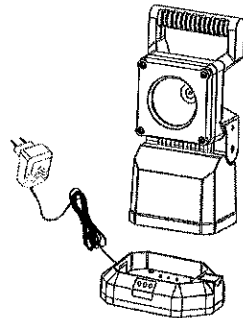
Features / Functions

- High-performance 3 W LED
- 2 performance levels Runtime:
 - performance level 1: 4h
 - performance level 2: 8h
- 7.4V 2200mAh Li-Ion battery
- Charge status display
- Swivel lamp head
- Flashing function
- Emergency light function
- Low battery capacity warning indication

Charging the battery:

By wall charging base:

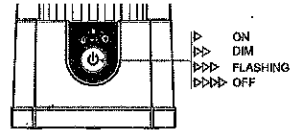
1. Connect the 230 V-power supply with the charging base.
2. Connect the 230 V-power supply with a 230 V mains socket.
3. Slide the work lamp into the charger.



Operating Instructions:

By pressing the switch, switching sequence cycles through three lighting modes as shown below:

1. Full Brightness Mode
2. Energy Saving Mode (Dimmed Light)
3. Flashing Mode
4. Off



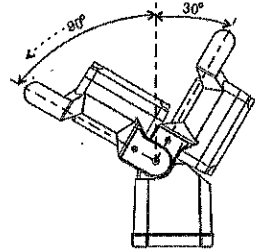
Adjusting angle and direction of light beam:

To adjust light beam at a desired angle, the lamp head can be swivelling at continuous angles from 30° in the front and 90° to the back.

Emergency light function:

In case of power failure the signal lamp switches on automatically. To use this function follow below steps:

1. Turn on work lamp
2. Select the required type of power level
3. Connect charger with the wall charging base
4. Connect charging adaptor with 230V power socket – the lamp turns off



Simulation emergency light function: Remove the charging adaptor from the 230 V power socket – the work lamp turns on automatically.

Operating Status Indications

Light indication of charging station:

1) Power on LED (1st LED):

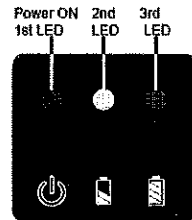
The charging station is on when it is connected to the power-source. The 1st LED turns on.

2) LEDs blink (1st, 2nd, 3rd LEDs):

The battery is being charged. Blinking LEDs indicate battery capacity level.

3) All LEDs on (1st, 2nd, 3rd LEDs):

The battery is fully charged.

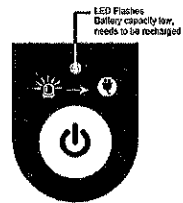


The LED indication of PL-828-3W lamp:

(LED above the power switch shows the function status of lamp)

During charging process: The LED indication remains off.

Battery low status indication: When in use, Red LED flashes rapidly to indicate there is 10 minutes lighting time remaining before battery capacity is fully discharged.



User Note: If the battery is fully discharged. The LED light may not light.

Electronic deep discharge protection:

This LED lamp is equipped with an electronic deep discharge protection in order to protect the rechargeable battery. This prolongs the lifetime of the rechargeable battery and protects the environment.

Technical specifications:

- 3W LED
- 2 performance levels: 100%, 50%
- Flashing function
- Runtime: performance level 1: 4h / performance level 2: 8h
- Emergency light function
- Rechargeable battery: 7.4V 2200mAh Li-ion battery
- Power pack 12V 500mA
- Charge status display
- Dimensions (L x W x H): 122.4 x 93.8 x 274.1 mm (without wall charging base)
- Weight: 1,0kg (without wall charging base)

Maintenance

- Built-in battery of PL-828-3W is factory charged up to 30% in capacity when you buy PL-828-3W lamp
- Keeping the lamp charged over a long period of time, i.e. overnight, does not damage the battery or the lamp itself
- When the lamp is not in use, always place it in the charging station under charge.
- Wipe the lamp with wet cloth. Only use diluted non-caustic divergent to clean the area where stain is found. Do not use chemical solvent and oil based detergents
- Do not clean the lamp in water
- Always maintain the lamp away from hazardous area

WARNING – DO NOT MAKE MODIFICATION ON THE LAMP AND REPLACE PARTS NOT SPECIFIED FOR PL-828-3W LAMP.
WARNING – DO NOT DISMANTLE THE LAMP IN ANY CIRCUMSTANCES. RETURN THE LAMP TO AUTHORISED SERVICE CENTER.

WARNING – DO NOT SUBMERGE THE LAMP IN WATER.

WARNING – ONLY USE SPECIFIED CHARGER ADAPTOR AND CHARGING STATION FOR CHARGING PL-828 LAMP

Important instructions for the Li-ion battery!

- Charge the Li-ion battery only with the supplied accessory (charging base and power supply)
- Recharge the battery completely before the initial use and after a long time of storage!
- A Li-ion battery reaches its full capacity only after 4-5 charging/discharging cycles.
- Charge the battery always at room temperature (10°- 30°C).
- Protect the battery against severe cold, heat and direct sunlight. Explosion hazard in extreme cases.
- Strictly protect the battery against damage or short-circuit. Fire and explosion hazard!
- A Li-ion battery has no memory effect. I.e., the battery must not be discharged completely before charging.
- For storing the hand lamp, the battery should be discharged to approx. 70% of its total capacity. Then recharge the battery every 6 months.

WARRANTY

When PL-828-3W is used under normal conditions and according to instructions in the user guide, the lamp is under warranty for 1 year period against manufacturing defect.

The warranty period for battery and main lighting LED is 6 months from date of purchase.

Disclaimer:

The contents of the lamp cannot be altered or changed in any circumstances as this will void the warranty.

The built-in battery pack is covered with only 6 months warranty and manufacturer will not be responsible for replacing the battery pack and the LED module.



Environmental Protection Notice

At the end of its useful life, this product must not be disposed of together with normal household waste, but has to be dropped off at a collection centre for the recycling of electrical and electronic devices. This is indicated by the symbol on the product, on the instruction manual or on the packaging.

The materials of which this product is made are recyclable pursuant to their labelling. With the reuse, the recycling of the materials or other forms of scrap usage you are making an important contribution to the protection of the environment.

Please ask your local administration office for the appropriate disposal centre.