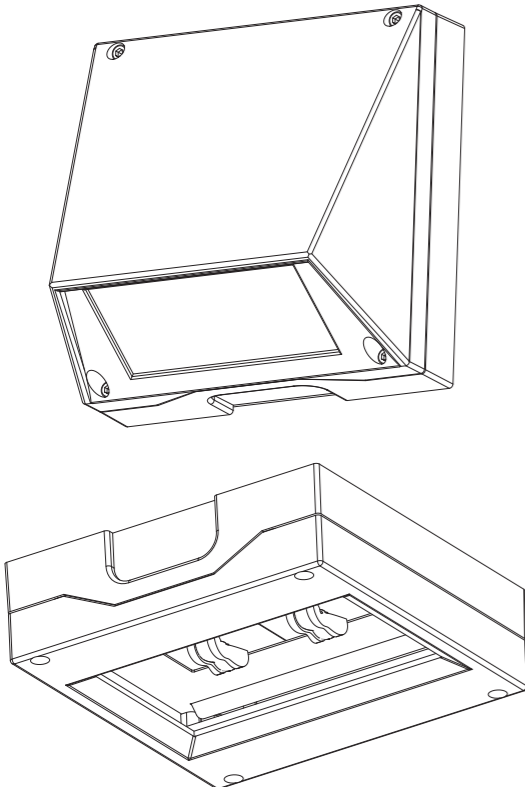
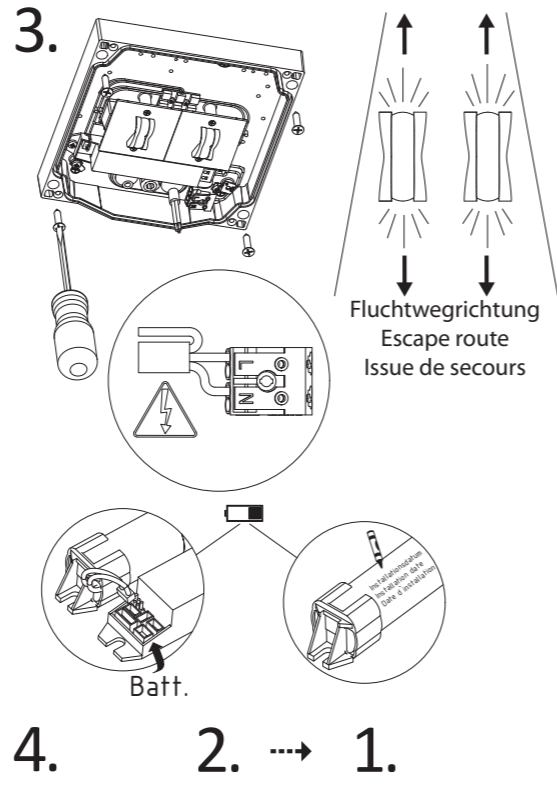
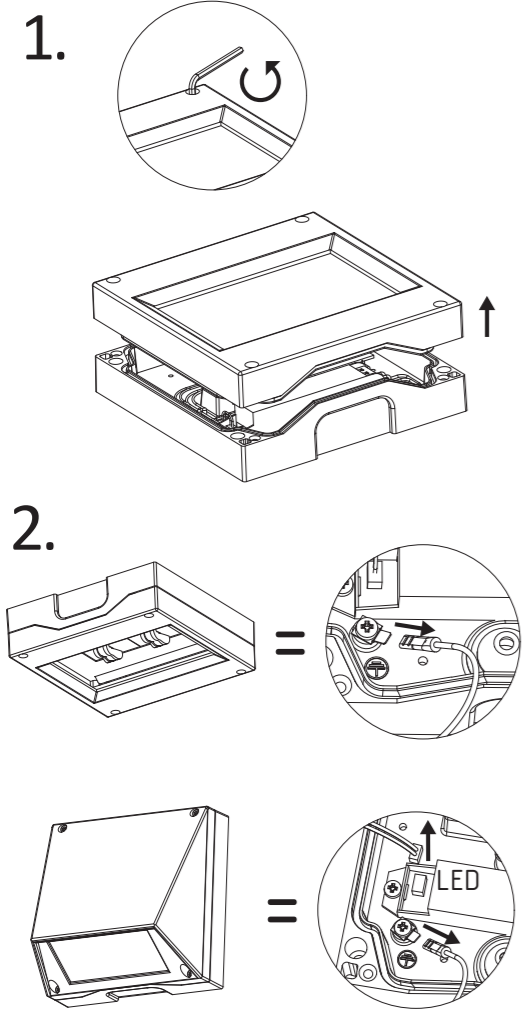


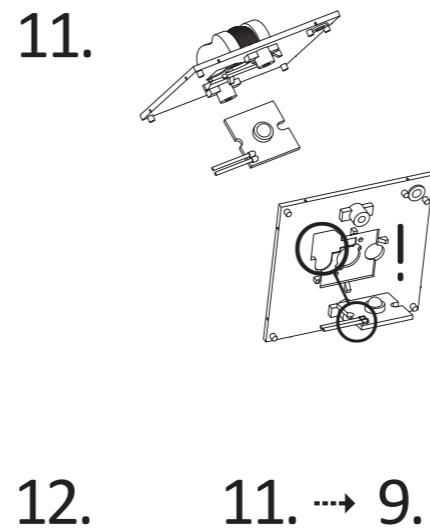
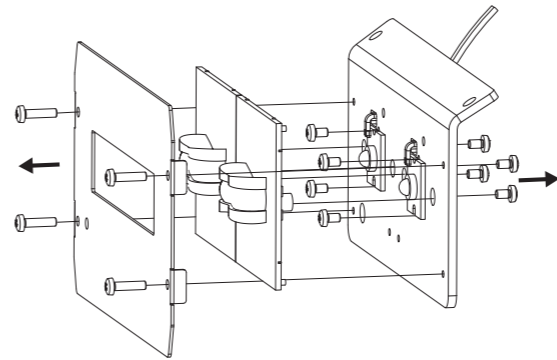
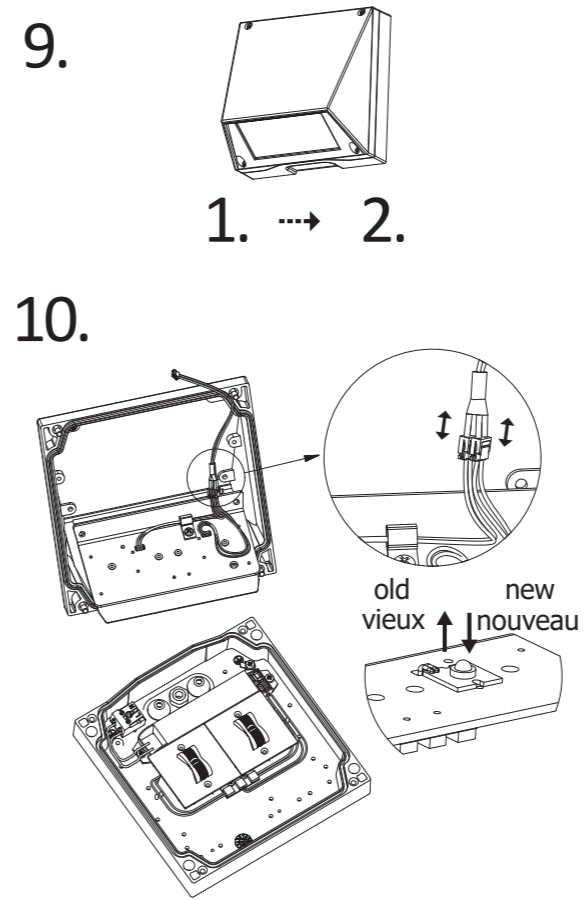
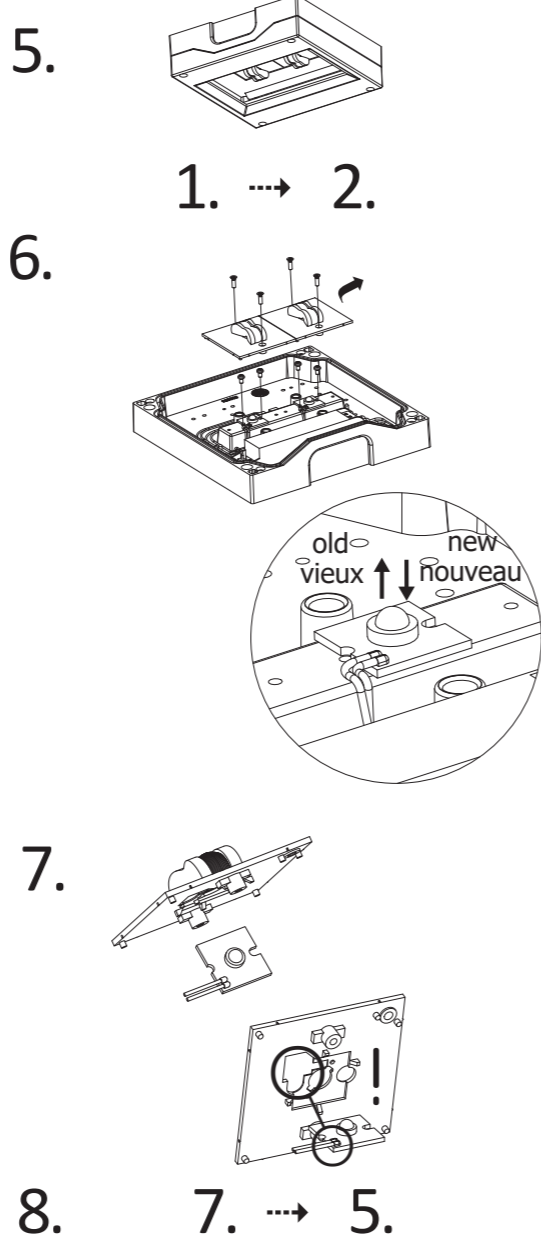
Mounting Instructions



Art.-Nr. / Item no. / N°d'Art. 670302-V05

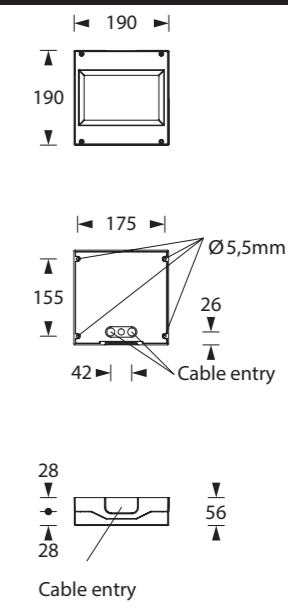


Illuminant change



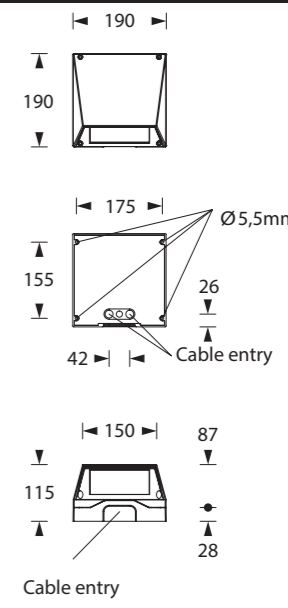
Dimensional drawings

Deckenmontage / ceiling installation / montage au plafond
190 x 56 x 190 mm



Attention! Make sure to observe the correct directionality in regards to the escape route, when mounting lamps with emergency exit optic! See red instruction label inside luminaire.

Wandmontage / wall installation / montage au mur
190 x 190 x 115 mm



**Safety luminaire
for wall or ceiling mounting**

This is a professional manual for certified electricians and professional installation companies only. When installing the self contained version follow the additional instructions.

General safety notices

Relevant safety and accident prevention measures, accepted technology regulations and the following safety notices must be observed when installing or carrying out any work on the safety light. In particular, the lamp must be disconnected from the mains and special care must be taken, as it will still be live from the backup system.

Lamp models with monitoring module

For lamp models with monitoring module for individual lamp monitoring, the configuration of individual lamp addresses and additional functions must be carried out in accordance with the images and data provided on the monitoring module or in the enclosed alignment instructions.

Self contained luminaires

For self contained luminaires the replacement of the battery is needed when the battery no longer meets its rated duration of operation after the corresponding recharge period. Note down the installation date on the provided place of the battery. When installing the self contained version follow the additional instructions. Batteries must be recharged 3 months after delivery date at the latest, otherwise the batteries can be damaged due to a total discharge!

Disposal

Please observe current regulations of ElektroG for the disposal and recycling of lamps.

Spare parts

Only use original parts for the replacement of illuminants, electronic components and accumulators (where applicable) to ensure compliance with nominal data!

Attention

Any damage incurred due to non-compliance with this manual will not be covered by the warranty. We accept no liability for consequential damages incurred due to non-compliance. Make sure to read this manual prior to commissioning the product.

Subject to technical changes without notice!




Technische Daten

Technical specifications

Caractéristiques techniques

Protection class	IP 65	Safety class	I / 230V III / 24V	3 x 2,5mm ² 2 x 2,5mm ²	Connecting terminals (mm ² for double assignment)
------------------	-------	--------------	-----------------------	--	--

Dimensions (WxHxD)	190 x 56 x 190mm	190 x 190 x 115mm
--------------------	------------------	-------------------

	Luminaire for CPS		Self contained luminaire
	24V	230V	230V
Illuminants	 2x3W LED	 2x3W LED	 2x3W LED
Light current net	380lm	380lm	285lm
Light current emergency	1h/3h		380lm
	8h		190lm
Luminous flux Emergency/Mains	1h/3h		100% / 75%
	8h		50% / 75%
Power consumption	6,6VA	10VA	8VA
Battery current input	188mA	25mA	
Voltage supply	24V 50/60Hz / 0Hz	230V 50/60Hz / 220V DC +25/-20%	230V 50/60Hz
Rated duration ^{1) 2)}			1h/3h/8h
NiMh-Akku Battery NiMh	1h		4,8V 2,0Ah
	3h/8h		4,8V 4,2Ah
Temperature range	-20°C – +40°C ³⁾	-20°C – +40°C ³⁾	
non maintained mode			-0°C – +35°C ⁴⁾
maintained mode			-5°C – +30°C ⁴⁾

- ¹⁾ Note down the installation date on the provided place of the battery.
- ²⁾ When installing the self contained version follow the additional instructions.
- ³⁾ Lowest permissible temperature -10°C in case of use ELC, MSÜ3, SET009, SET010.
- ⁴⁾ Optional with battery heater for temperatures down to -20°C.