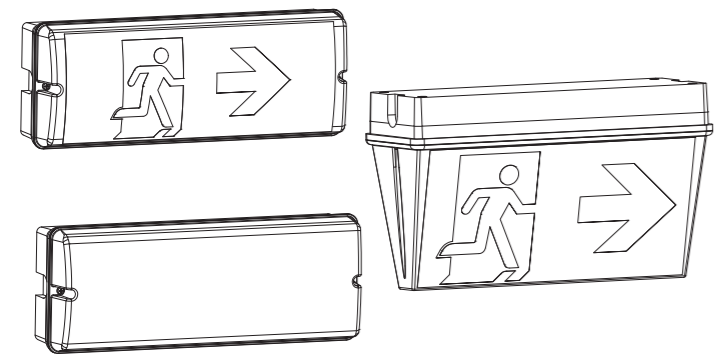
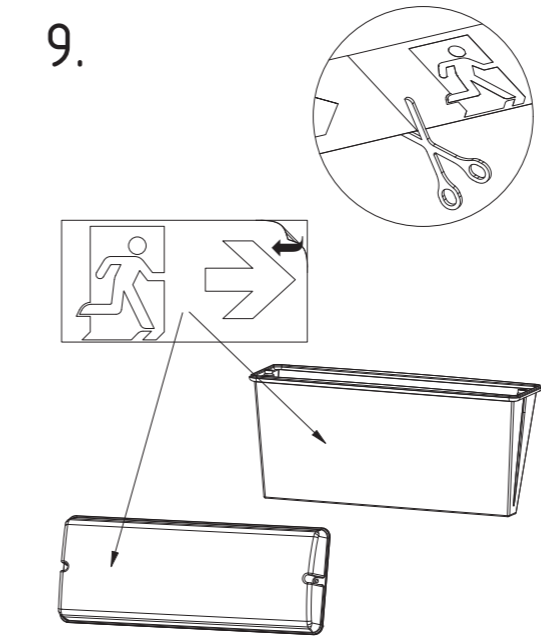
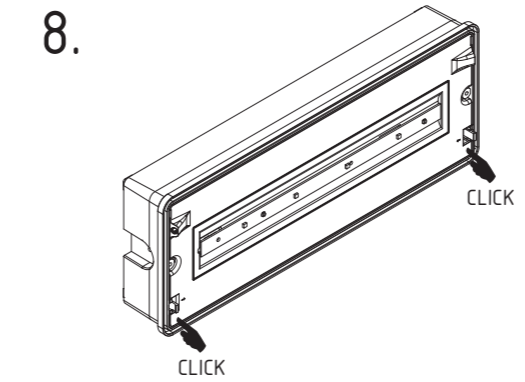
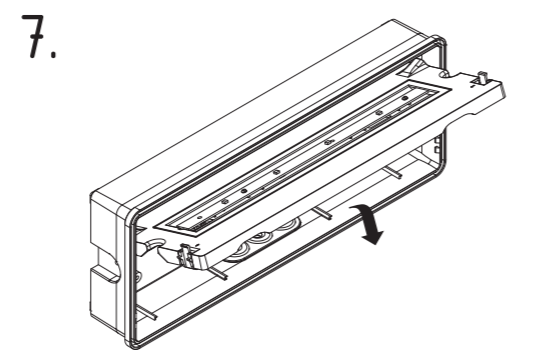
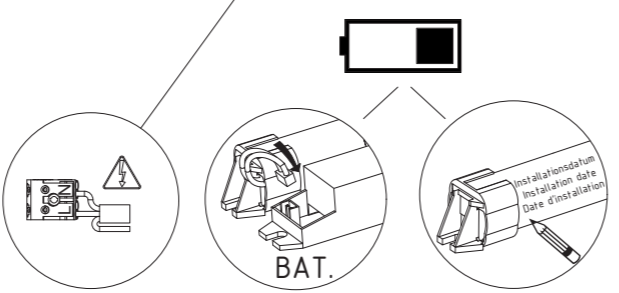
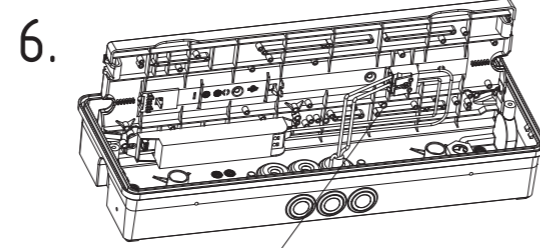
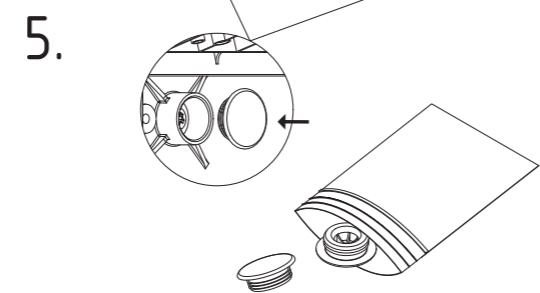
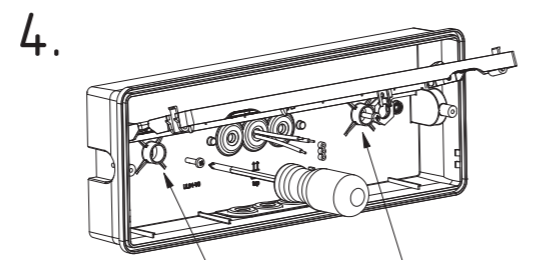
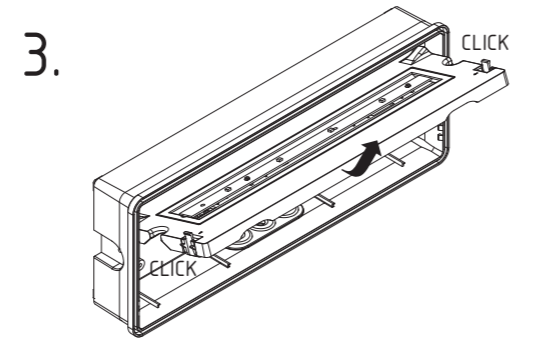
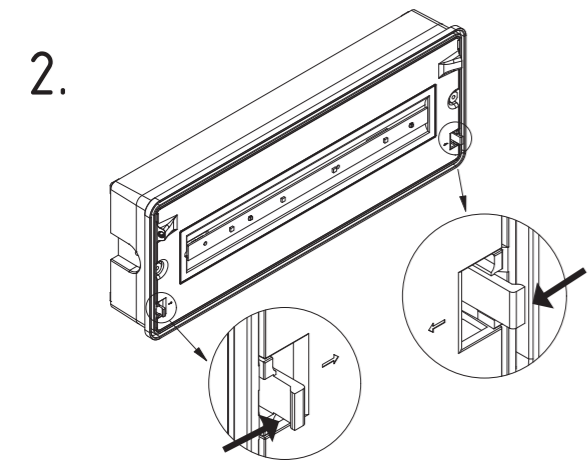
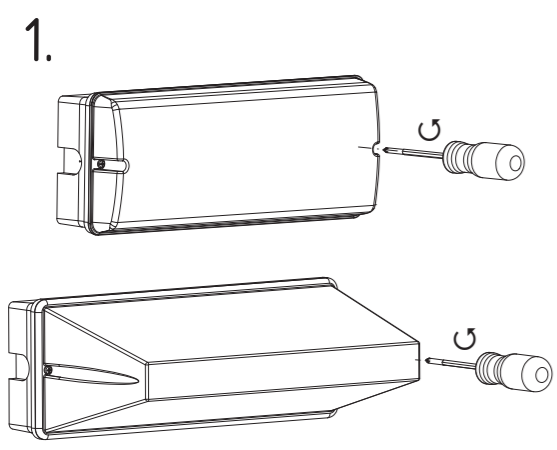


Mounting Instructions

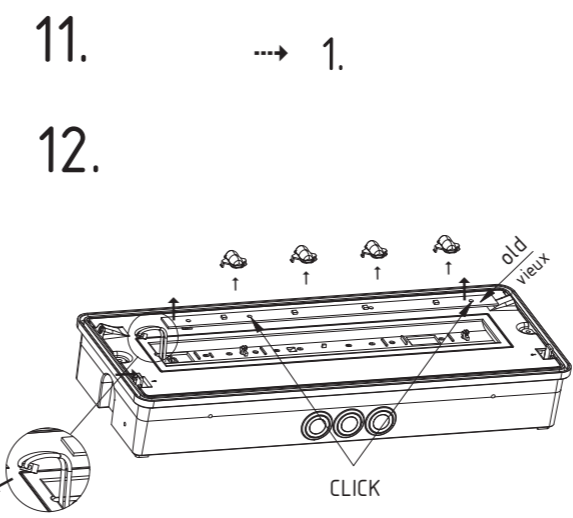


Art.-Nr./Item no./N° d'Art. 670051-V10



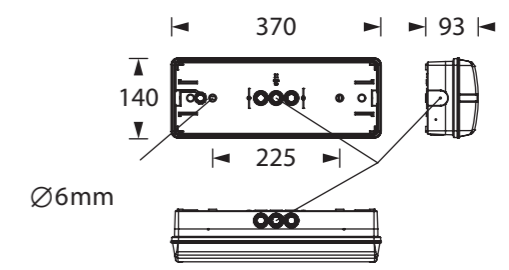
10. 2. → 1.

Illuminant change

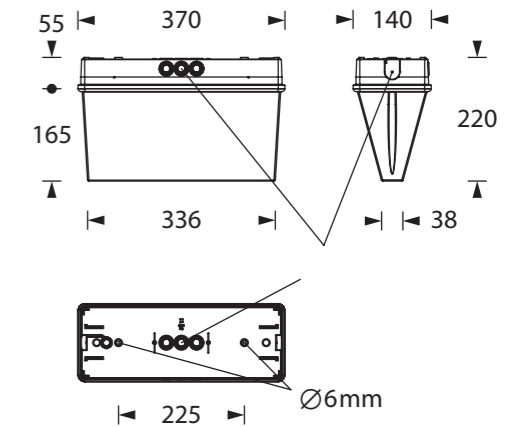


Dimensional drawings

Casing design 370 x 140 x 93 mm



Casing design 370 x 220 x 140 mm



Exit or safety luminaire, plastic for wall or ceiling mounting

This is a professional manual for certified electricians and professional installation companies only. When installing the self contained version follow the additional instructions.

General safety notices

Relevant safety and accident prevention measures, accepted technology regulations and the following safety notices must be observed when installing or carrying out any work on the safety light. In particular, the lamp must be disconnected from the mains and special care must be taken, as it will still be live from the backup system.

Lamp models with monitoring module

For lamp models with monitoring module for individual lamp monitoring, the configuration of individual lamp addresses and additional functions must be carried out in accordance with the images and data provided on the monitoring module or in the enclosed alignment instructions.

Self contained luminaires

For self contained luminaires the replacement of the battery is needed when the battery no longer meets its rated duration of operation after the corresponding recharge period. Note down the installation date on the provided place of the battery. When installing the self contained version follow the additional instructions. Batteries must be recharged 3 months after delivery date at the latest, otherwise the batteries can be damaged due to a total discharge!

Disposal

Please observe current regulations of ElektroG for the disposal and recycling of lamps.

Spare parts

Only use original parts for the replacement of illuminants, electronic components and accumulators (where applicable) to ensure compliance with nominal data!

Attention

Any damage incurred due to non-compliance with this manual will not be covered by the warranty. We accept no liability for consequential damages incurred due to non-compliance. Make sure to read this manual prior to commissioning the product.

Subject to technical changes without notice!



Sticking the pictograms – Tip for easy application

Take a bowl of water and a few drops of dishwashing liquid. Wet the lamp cover with the rinsing water and place the pictogram. As long as the lamp cover is not dried, you can center the pictogram easily. After centering fix the pictogram with a dry cloth or a rubber roller.



nur/only/seulement



The luminaire should be positioned so that prolonged staring into the luminaire at a distance closer than 0.7 m is not expected.

Technical specifications

II / 230V 2 x 2,5 mm²

370 x 220 x 140 mm 370 x 140 x 93 mm



		Luminaire for CPS						Self contained luminaire 230V		
		24V		230V						
<i>Illuminants</i>		1,5W LED	3W LED	1,5W LED	3W LED	6W LED	10W LED	1,5W LED	3W LED	6W LED
<i>Light current net</i>		190lm	350lm	190lm	350lm	600lm	1.050lm	190lm	350lm	580lm
<i>RZ-Leuchte Exit luminaires Lampes de signalisation d'urgence</i>	<i>Luminous flux Emergency / Mains</i>							15–50% / 100%		
								100% / 100%	100% / 100%	55–100% / 100%
<i>Power consumption</i>		3VA	4,5VA	5VA	6VA	10,3VA	15VA	5VA	6VA	11,5VA
<i>Battery current input</i>		74mA	119mA	12mA	19mA	27mA	41mA			
<i>Voltage supply</i>		24V 50/60Hz / 0Hz		230V 50/60Hz / 220V DC +25/-20%				230V 50/60Hz		
<i>Rated duration ^{1) 2)}</i>								1h/3h/8h	1h/3h	1h/3h/8h
<i>Exit luminaires</i>	NiMh-Akku Battery NiMh 1h/3h/8h							4,8V 0,8Ah		
<i>Safety luminaires</i>	NiMh-Akku / Battery NiMh 1h NiMh-Akku / Battery NiMh 3h NiMh-Akku / Battery NiMh 8h							4,8V 2,0Ah 4,8V 2,0Ah 4,8V 4,2Ah	4,8V 2,0Ah 4,8V 4,2Ah	4,8V 2,0Ah 4,8V 4,2Ah 4,8V 4,2Ah
<i>Temperature range</i>		-20°C – +40°C ³⁾		-20°C – +40°C ³⁾						
<i>non maintained mode</i>								-0°C – +35°C ⁴⁾		
<i>maintained mode</i>								-5°C – +30°C ⁴⁾		



¹⁾ Note down the installation date on the provided place of the battery.

the additional instructions.

³⁾ Lowest permissible temperature -10 °C in case of use ELC, MSÜ3, SET009, SET010, DALI.

⁴⁾ Optional with battery heater for temperatures down to -20 °C.