

Lamp models with monitoring module

For lamp models with monitoring module for individual lamp monitoring, the configuration of individual lamp addresses and additional functions must be carried out in accordance with the images and data provided on the monitoring module or in the enclosed alignment instructions.

Self contained luminaires

For self contained luminaires the replacement of the battery is needed when the battery no longer meets its rated duration of operation after the corresponding recharge period.

Please observe current regulations of ElektroG for the disposal and recycling of lamps.

Only use original parts for the replacement of illuminants, electronic components and accumulators (where applicable) to ensure compliance with nominal data!

Any damage incurred due to non-compliance with this manual will not be covered by the warranty. We accept no liability for consequential damages incurred due to non-compliance. Make sure to read this manual prior to commissioning the product.

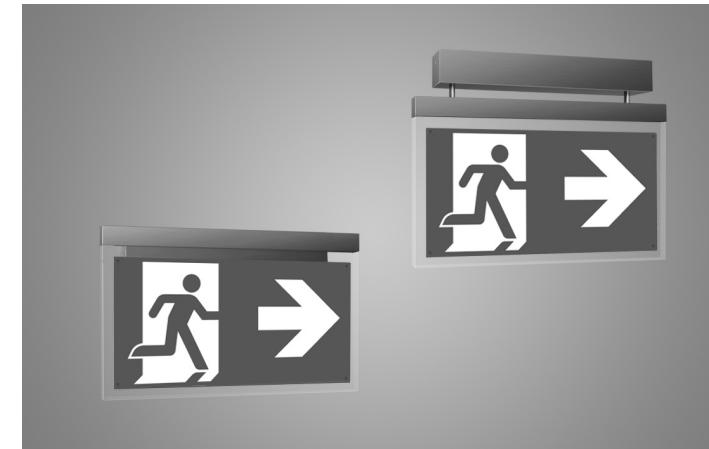
Technical Data	Luminaire for central battery systems	Self contained luminaire
Lighting appliances	3W LED	3W LED
Light current	240lm	240lm
Mains power output	6VA	6VA
Battery current input	19mA	-
Duration	-	3h / 8h
Supply voltage	230V 50/60Hz / 220V DC +25/-20%	230V 50/60Hz
NiMh-Akku*	-	4,8V 0,8Ah
Light current flux	-	25 % / 100 %
Temperature range	-10°C bis / to +40°C DS + BS	-
non maintained mode	-	-0°C bis / to +35°C
maintained mode	-	-5°C bis / to +30°C
Connecting terminals	3 x 2,5mm ² for double assignment	
Protection class	IP40	
Safety class	I	
Dimensions (WxHxD)	323 x 244 x 56 mm surface mounting 323 x 196 x 68 mm wall mounting	

* When installing the self contained version follow the additional instructions.

Mounting and Operating Instructions

Emergency exit luminaire for surface and wall installation

This is a professional manual for certified electricians and professional installation companies only.

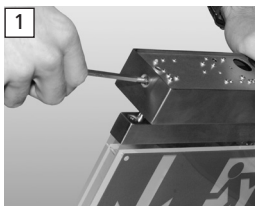


Exit luminaire complying with DIN EN 60598-1/2-22 and DIN EN 1838 for use in safety lighting systems in compliance with DIN VDE 0108-100 and DIN EN 50172.

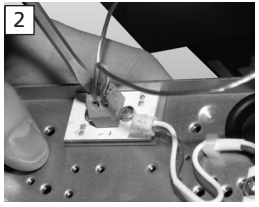
General Safety Notices

Relevant safety and accident prevention measures, accepted technology regulations and the following safety notices must be observed when installing or carrying out any work on the safety light. In particular, the lamp must be disconnected from the mains and special care must be taken, as it will still be live from the backup system.

Procedure for mounting



🇬🇧 Open the light housing by unscrewing the two fixing screws on both sides.



wall installation

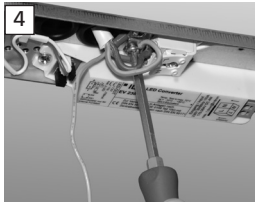
🇬🇧 Disconnect all cables between the light housing and the mounting plate.

ATTENTION: Critical reverse polarity! Reconnect the red marked cable with the positive pole.

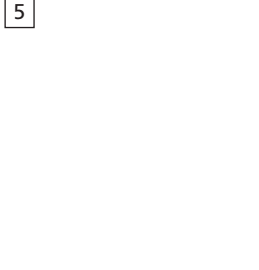


wall installation

🇬🇧 Insert the power cord through the mounting plate and mount it on the wall or ceiling.

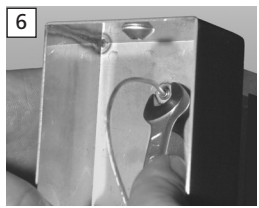


🇬🇧 Connect the power leads to the terminals L and N and the protective conduction to the earthing terminal.

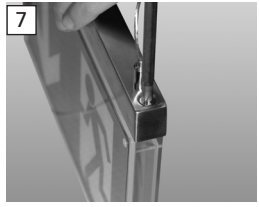


🇬🇧 Reconnect all cable connections between the light housing, mounting plate and housing cover (Attention, see Point 2) and close the light by tighten both side screws.

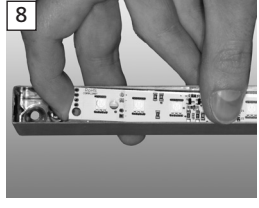
Replacing illuminants



🇬🇧 Open the light as described in picture 1 and 2 and unscrew all screws in the housing cover or housing with a wrench (size 7).



🇬🇧 Unscrew the two screws on the disc holder and remove the disc.



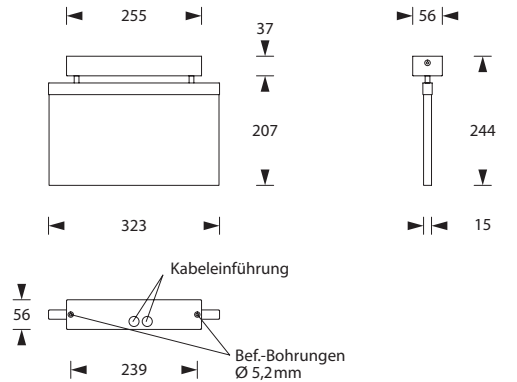
🇬🇧 Remove the LED-line by gently pulling separately at both sides. Disconnect the plug and replace the LED-line. Attach the LED-line by pressing it on the LED-holder.



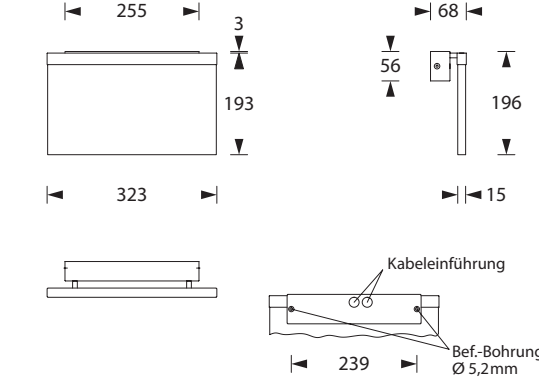
🇬🇧 Go back step by step to picture 6. When fastening the hex bolts, make sure that the bolts between the housing cover and the disc holder click into place.

Dimensional Drawing

- 🇬🇧 cable entry guide
- 🇬🇧 existing borholes



Deckenaufbaumontage / ceiling installation



wall installation