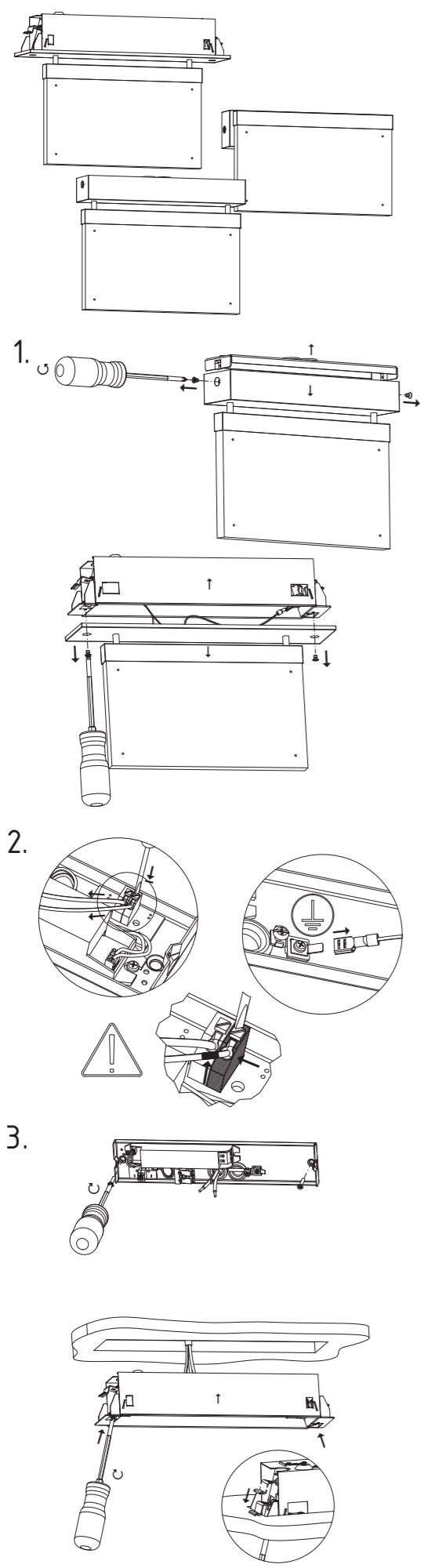
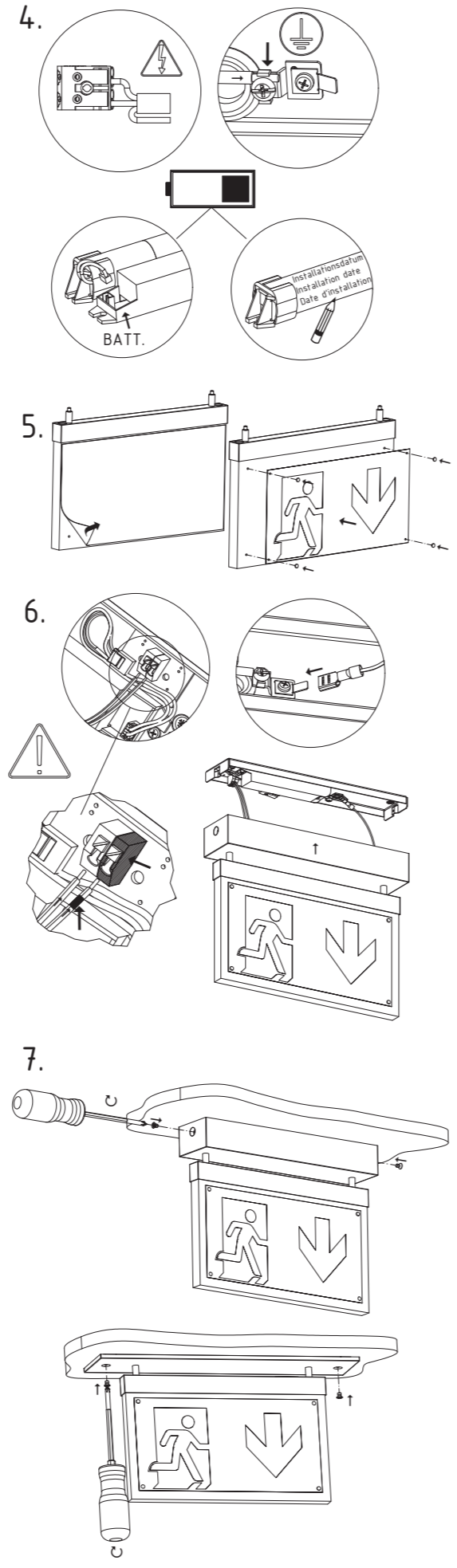


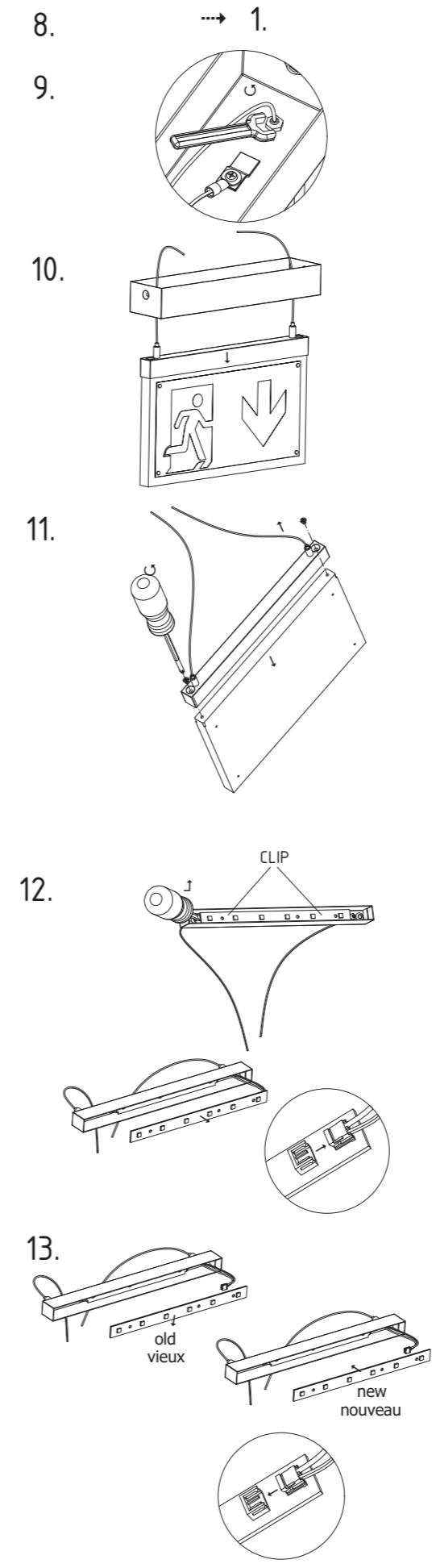
Mounting Instructions



Art.-Nr./Item no./N° d'Art. 670224-V03

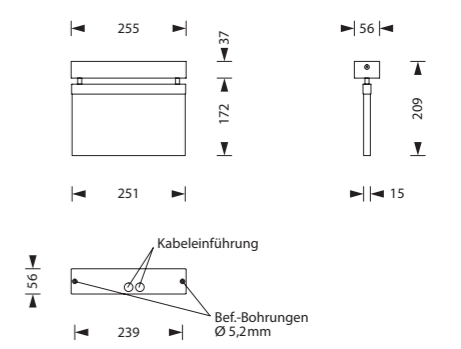


Illuminant change

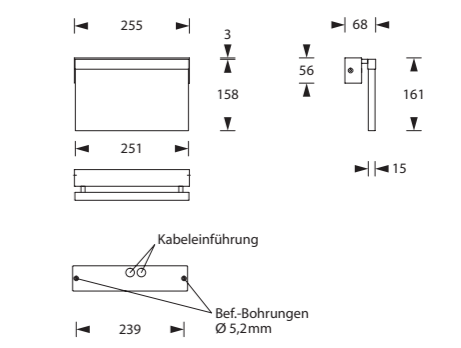


Dimensional drawings

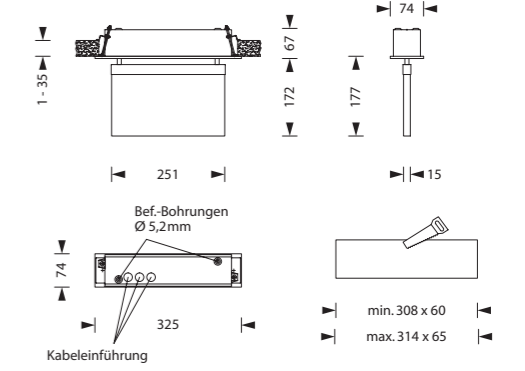
255 x 209 x 56 mm ceiling installation



255 x 161 x 68 mm wall installation

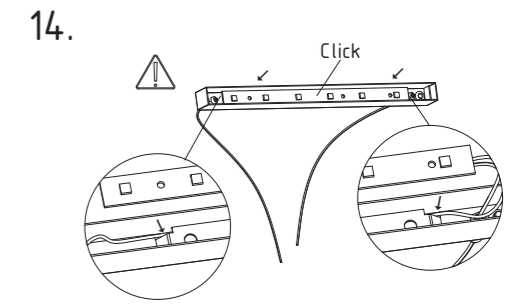


325 x 239 x 74 mm recessed installation



Cable entry guide

existing boreholes



15. → 11. 10. 9. → 1.

Emergency exit luminaire, stainless steel (V4A) for surface and recessed mounting

This is a professional manual for certified electricians and professional installation companies only. When installing the self contained version follow the additional instructions.

General safety notices

Relevant safety and accident prevention measures, accepted technology regulations and the following safety notices must be observed when installing or carrying out any work on the safety light. In particular, the lamp must be disconnected from the mains and special care must be taken, as it will still be live from the backup system.

Lamp models with monitoring module

For lamp models with monitoring module for individual lamp monitoring, the configuration of individual lamp addresses and additional functions must be carried out in accordance with the images and data provided on the monitoring module or in the enclosed alignment instructions.

Self contained luminaires

For self contained luminaires the replacement of the battery is needed when the battery no longer meets its rated duration of operation after the corresponding recharge period. Note down the installation date on the provided place of the battery. When installing the self contained version follow the additional instructions. Batteries must be recharged 3 months after delivery date at the latest, otherwise the batteries can be damaged due to a total discharge!

Disposal

Please observe current regulations of ElektroG for the disposal and recycling of lamps.

Spare parts

Only use original parts for the replacement of illuminants, electronic components and accumulators (where applicable) to ensure compliance with nominal data!

Attention

Any damage incurred due to non-compliance with this manual will not be covered by the warranty. We accept no liability for consequential damages incurred due to non-compliance. Make sure to read this manual prior to commissioning the product.

Subject to technical changes without notice!



Indication for the assembly of the pictogram foils

Remove the foil from both sides of the light-deflecting pane. By one-sided pictogram panes put the pictogram-foil on the unprinted side of the pane. Press the added pins into the pre-stamped four holes.

Technical specifications

Protection class	IP 40	Safety class	I / 230V	3 x 2,5 mm ²	Connecting terminals (mm ² for double assignment)
			III / 24V	2 x 2,5 mm ²	

Dimensions (WxHxD)	255 x 209 x 56 mm	255 x 161 x 68 mm	325 x 239 x 74 mm

	Luminaire for CPS		Self contained luminaire
	24V	230V	
<i>Illuminants</i>			
<i>Light current net</i>	260lm	260lm	260lm
<i>Emergency / Mains</i>	1h/3h/8h		15%-50% / 100%
<i>Power consumption</i>	3,5VA	5,5VA	5,5VA
<i>Battery current input</i>	89mA	14mA	
alle Gehäuseausführungen / all casing designs / toutes les conceptions du logement			
<i>Voltage supply</i>	24V 50/60Hz / 0Hz	230V 50/60Hz / 220V DC +25/-20%	230V 50/60Hz
<i>Nennbetriebsdauer</i> ^{1) 2)} <i>Rated duration</i> ^{1) 2)} <i>La durée de fonctionnement nominale</i> ^{1) 2)}			1h/3h/8h
<i>NiMh-Akku</i> <i>Battery NiMh 1h/3h/8h</i>			4,8V 0,8Ah
<i>Temperature range</i>	-10°C – +40°C	-10°C – +40°C	
<i>non maintained mode</i>			-0°C – +35°C
<i>maintained mode mode</i>			-5°C – +30°C



¹⁾ Note down the installation date on the provided place of the battery.

²⁾ When installing the self contained version follow the additional instructions.