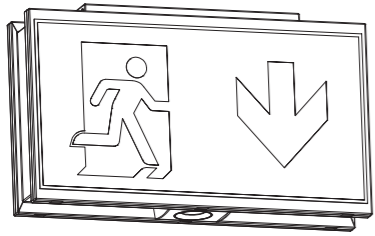
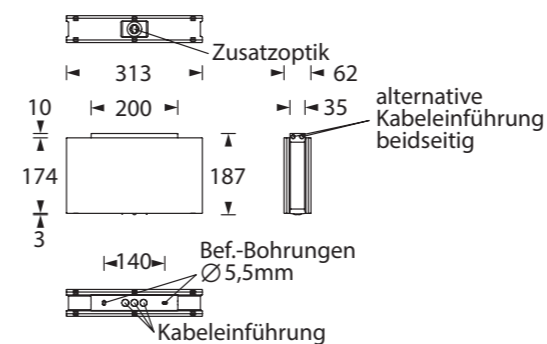
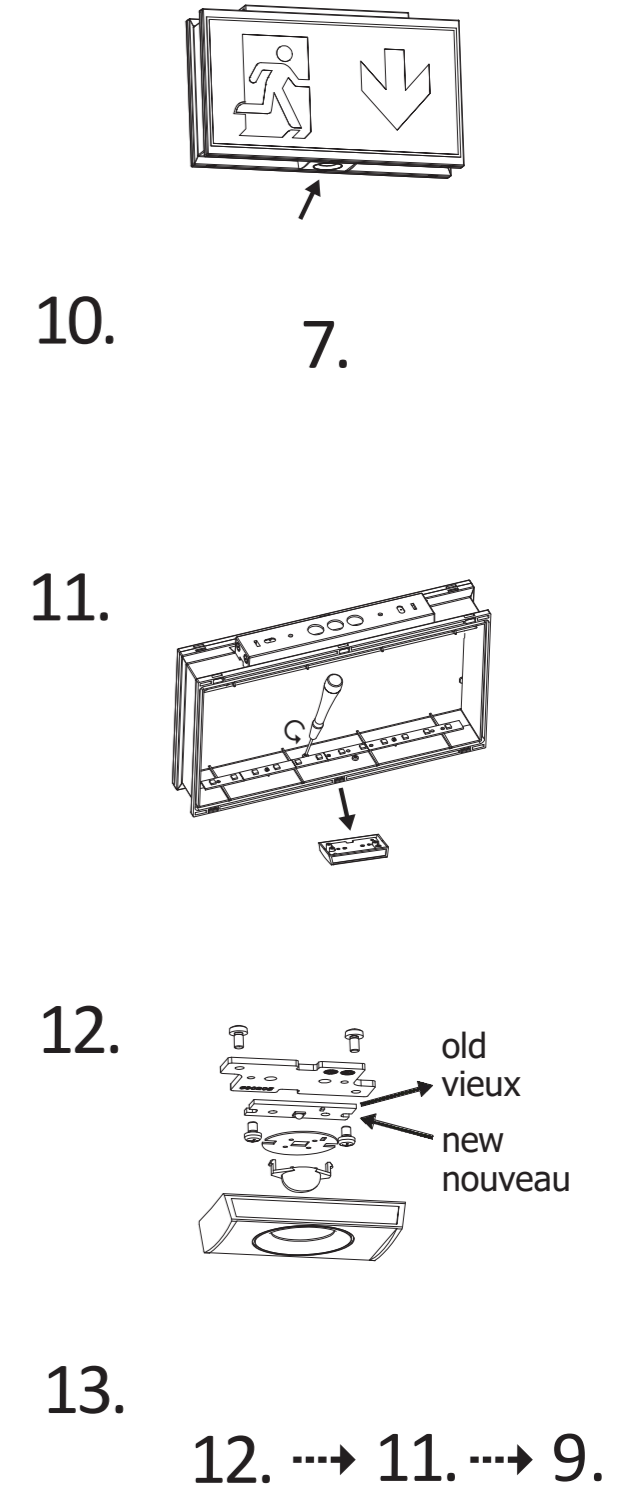
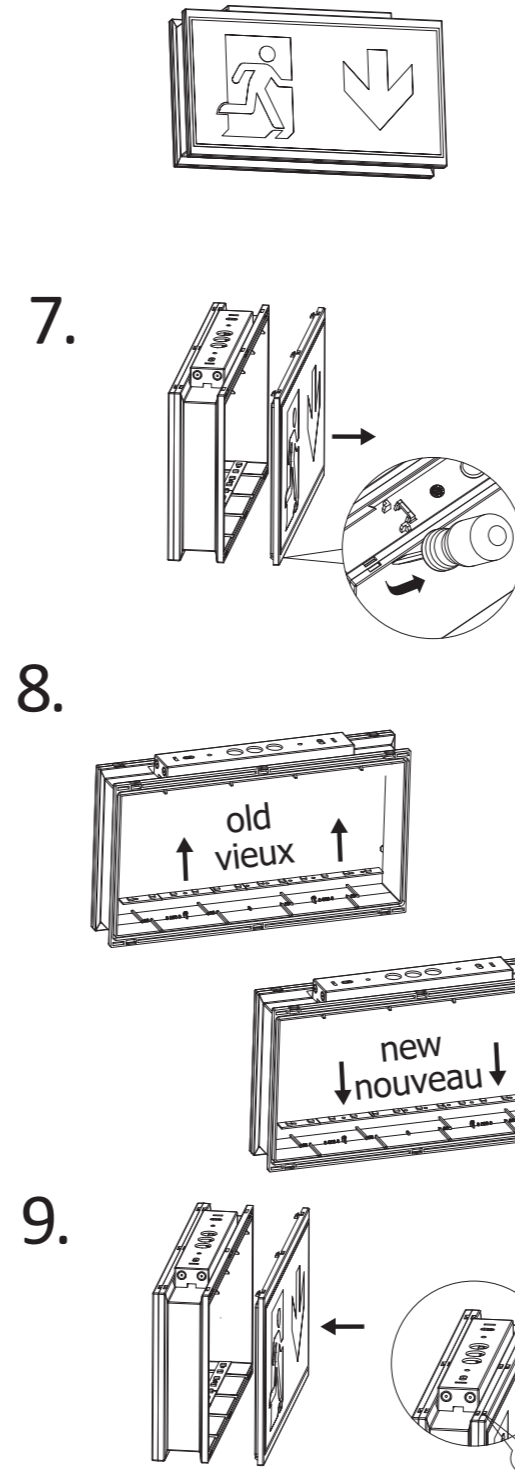
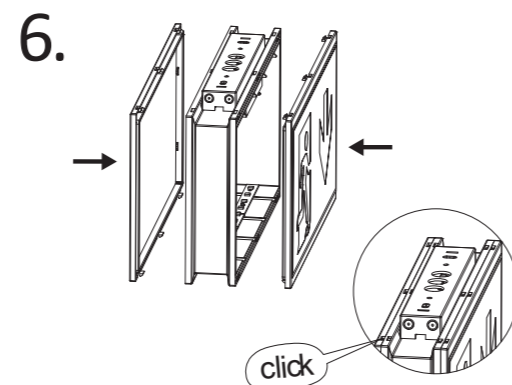
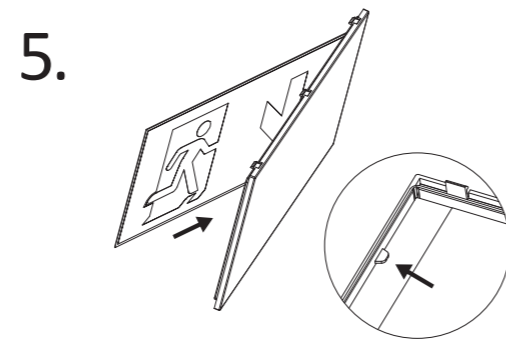
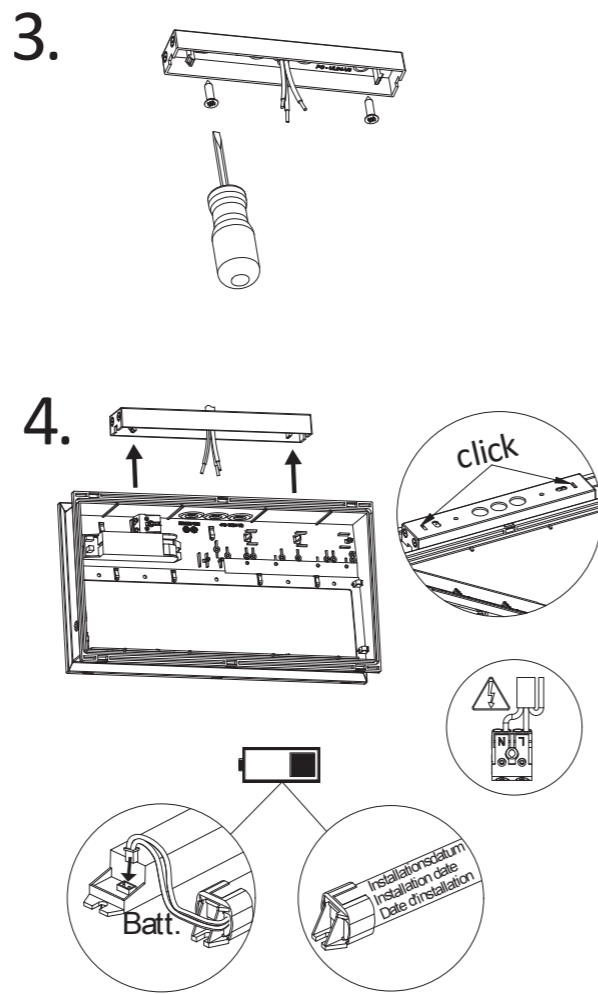
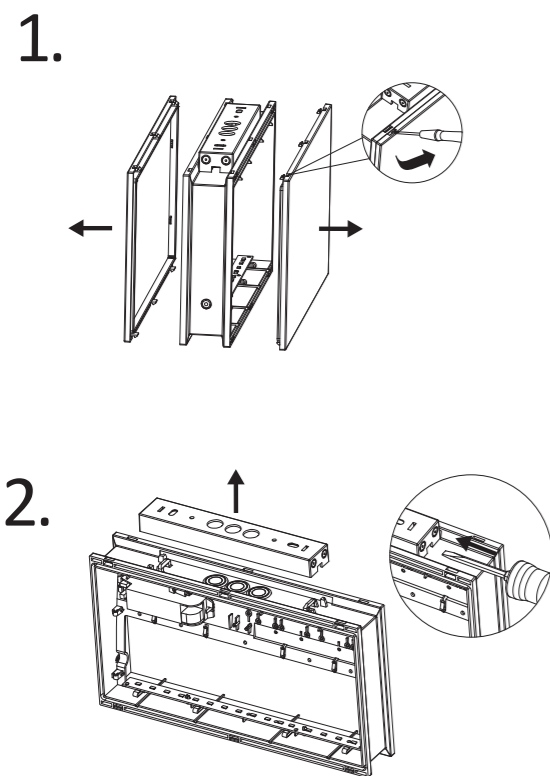


EFFEKTA



HelpLed II dubbelsidig

Art.-Nr./Item no./N° d'Art. 670540-V02



Additional optic

alternative cable entry guide on both sides

Existing boreholes

Cable entry guide

Combined exit sign and safety luminaire for ceiling mounting

This is a professional manual for certified electricians and professional installation companies only. When installing the self contained version follow the additional instructions.

General safety notices

Relevant safety and accident prevention measures, accepted technology regulations and the following safety notices must be observed when installing or carrying out any work on the safety light. In particular, the lamp must be disconnected from the mains and special care must be taken, as it will still be live from the backup system.

Lamp models with monitoring module

For lamp models with monitoring module for individual lamp monitoring, the configuration of individual lamp addresses and additional functions must be carried out in accordance with the images and data provided on the monitoring module or in the enclosed alignment instructions.

Self contained luminaires

For self contained luminaires the replacement of the battery is needed when the battery no longer meets its rated duration of operation after the corresponding recharge period. Note down the installation date on the provided place of the battery. When installing the self contained version follow the additional instructions. Batteries must be recharged 3 months after delivery date at the latest, otherwise the batteries can be damaged due to a total discharge!

Disposal

Please observe current regulations of ElektroG for the disposal and recycling of lamps.

Spare parts

Only use original parts for the replacement of illuminants, electronic components and accumulators (where applicable) to ensure compliance with nominal data!

Attention

Any damage incurred due to non-compliance with this manual will not be covered by the warranty. We accept no liability for consequential damages incurred due to non-compliance. Make sure to read this manual prior to commissioning the product.



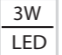
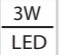
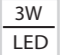

Subject to technical changes without notice!

Technical specifications

Protection class IP 43 Safety class II / 230V 2 x 2,5 mm² Connecting terminals (mm² for double assignment)

Dimensions (WxHxD) 313 x 187 x 62 mm



	Luminaire for CPS 230V		Self contained luminaire 230V	
	 Exit sign	Safety module	 Exit sign	Safety module
Illuminants				
Light current net	350lm	190lm	350lm	190lm
Luminous flux Emergency / Mains			15 – 50% / 100%	100% / 0%
Power consumption	12VA	12VA	11VA	11VA
Battery current input	34mA	34mA		
Voltage supply	230V 50/60Hz / 220V DC +25/-20%		230V 50/60Hz	
Rated duration ^{1) 2)}			1h/3h	1h/3h
NiMh-Akku			4,8V 0,8Ah	4,8V 0,8Ah
Temperature range	-10°C – +40°C	-10°C – +40°C		
non maintained mode			-0°C – +35°C	
maintained mode			-5°C – +30°C	



¹⁾ Note down the installation date on the provided place of the battery.

²⁾ When installing the self contained version follow the additional instructions.