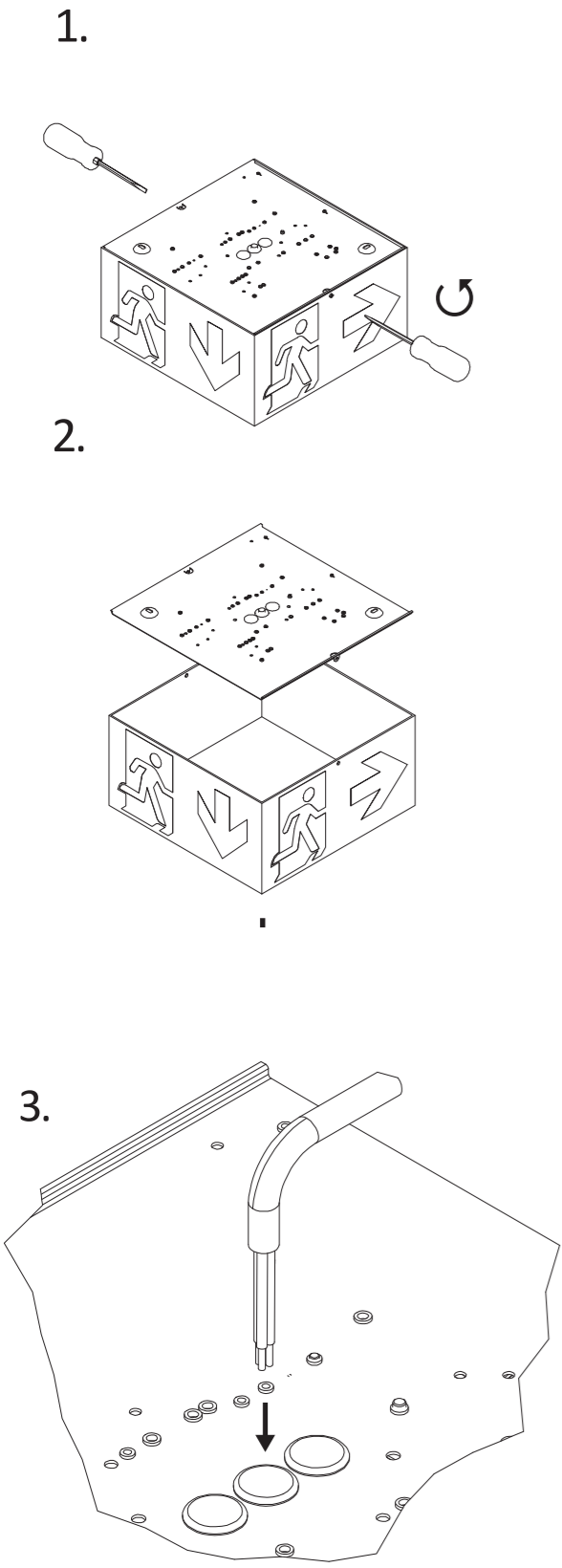
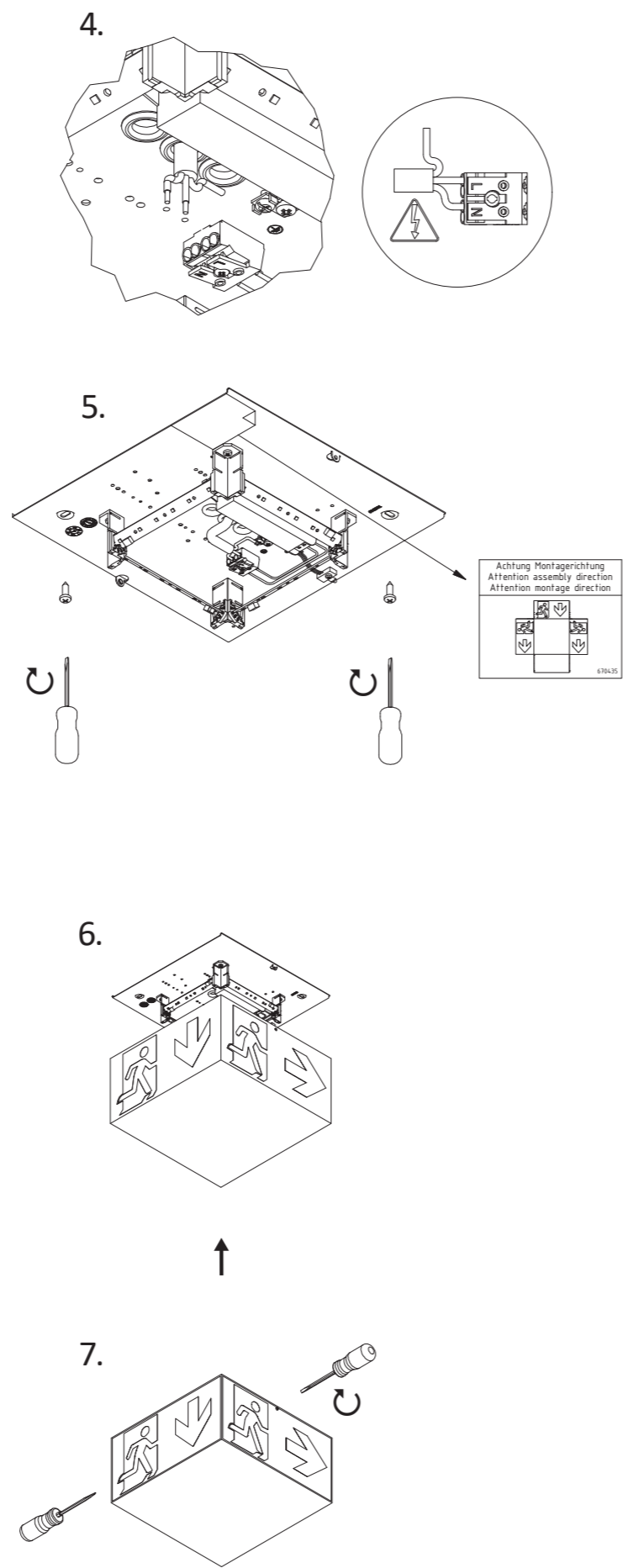


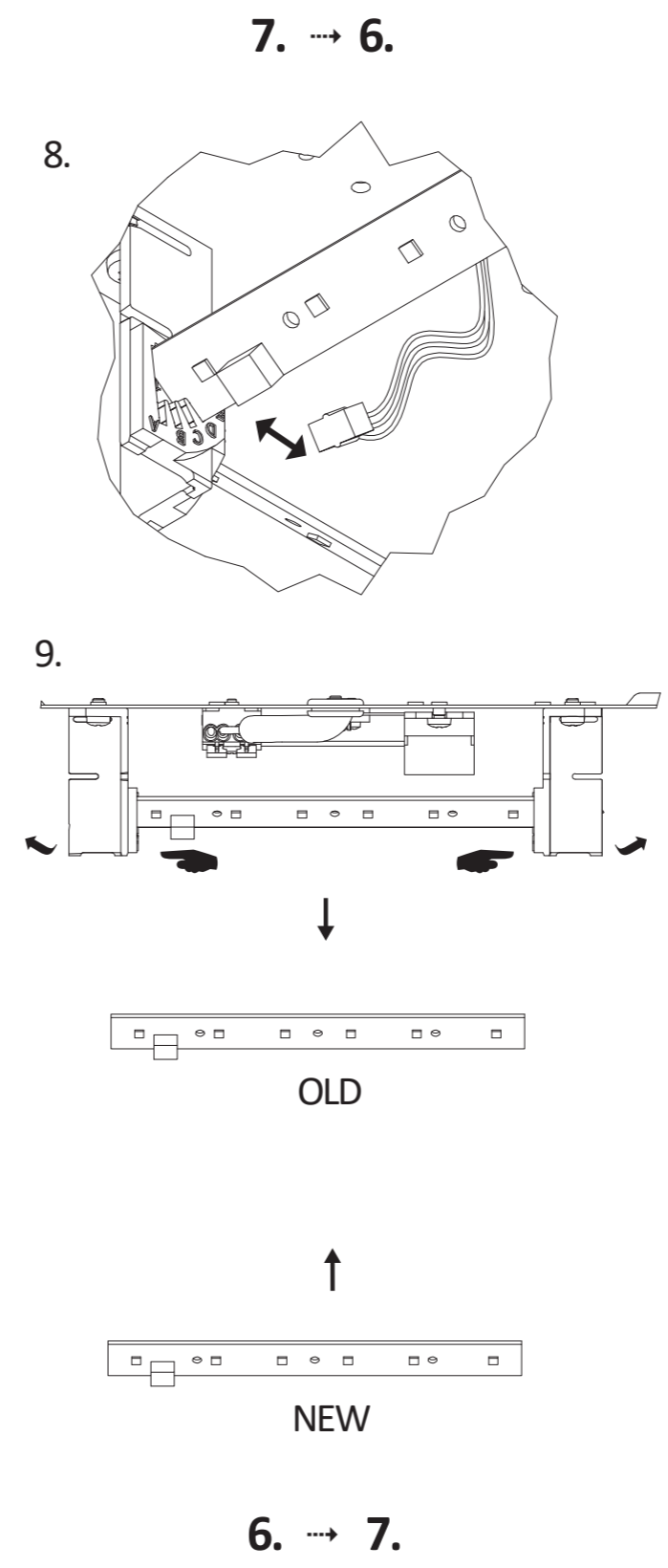
**Mounting Instructions**



Art.-Nr./Item no./N° d'Art. 670417

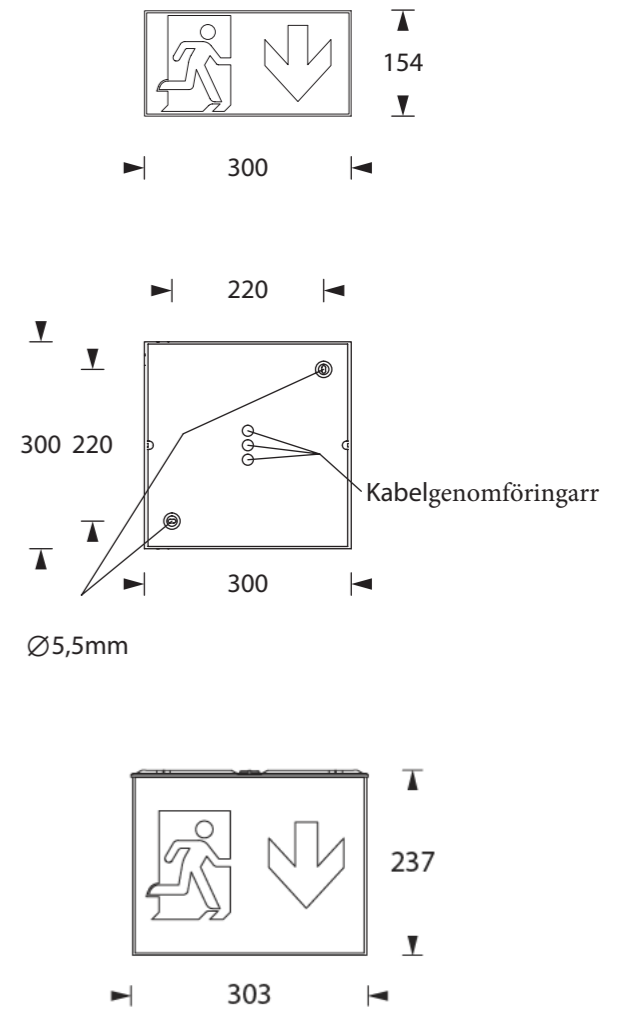


**Illuminant change**



**Dimensional drawings**

**Casing design**



**EFFEKTA**



### Emergency exit luminaire 300 for surface mounting

This is a professional manual for certified electricians and professional installation companies only. When installing the self contained version follow the additional instructions.

#### General safety notices

Relevant safety and accident prevention measures, accepted technology regulations and the following safety notices must be observed when installing or carrying out any work on the safety light. In particular, the lamp must be disconnected from the mains and special care must be taken, as it will still be live from the backup system.

#### Lamp models with monitoring module

For lamp models with monitoring module for individual lamp monitoring, the configuration of individual lamp addresses and additional functions must be carried out in accordance with the images and data provided on the monitoring module or in the enclosed alignment instructions.

#### Self contained luminaires

For self contained luminaires the replacement of the battery is needed when the battery no longer meets its rated duration of operation after the corresponding recharge period.

#### Disposal

Please observe current regulations of ElektroG for the disposal and recycling of lamps.

#### Spare parts

Only use original parts for the replacement of illuminants, electronic components and accumulators (where applicable) to ensure compliance with nominal data!

#### Attention

Any damage incurred due to non-compliance with this manual will not be covered by the warranty. We accept no liability for consequential damages incurred due to non-compliance. Make sure to read this manual prior to commissioning the product.

*Subject to technical changes without notice!*



### Technical specifications

<b>Schutzart</b>		<b>Schutzklasse</b>			
Protection class	IP 20	Safety class	I / 230V	3 x 2,5 mm <sup>2</sup>	Connecting terminals (mm <sup>2</sup> for double assignment)
Indice de protection boîtier		Classe de protection			

**Abmessungen B x H x T** 300 x 154 x 300 mm

Dimensions (W x H x D)

Dimensions (L x H x P)



Illuminants

4x3,5W  
LED

Light current net Flux

950lm

Power consumption

13VA

Battery current input

34mA

Voltage supply

230V 50/60Hz / 220V DC +25/-20%

Temperature range

-10°C – +40°C