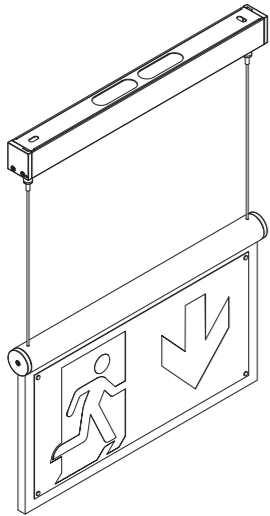
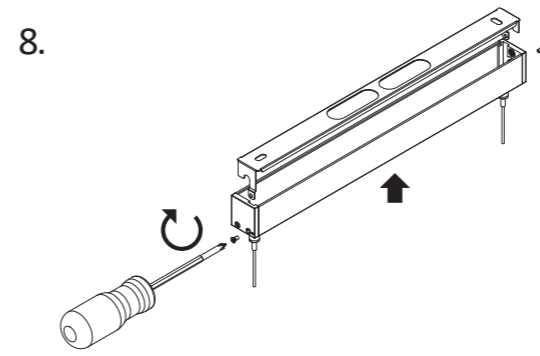
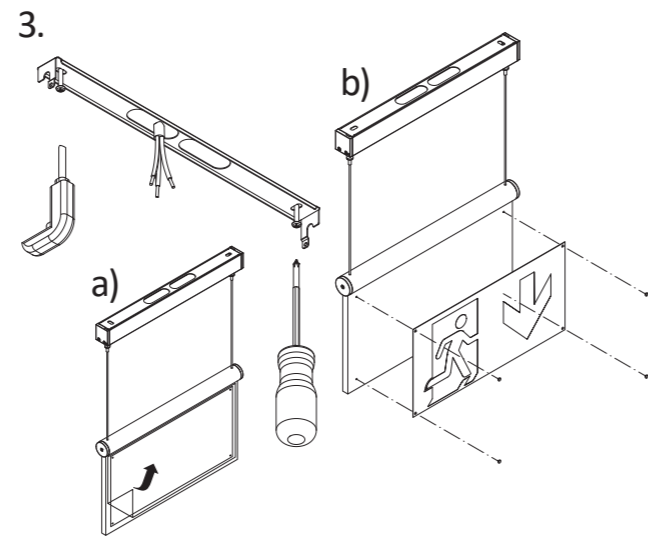


EFFEKTA

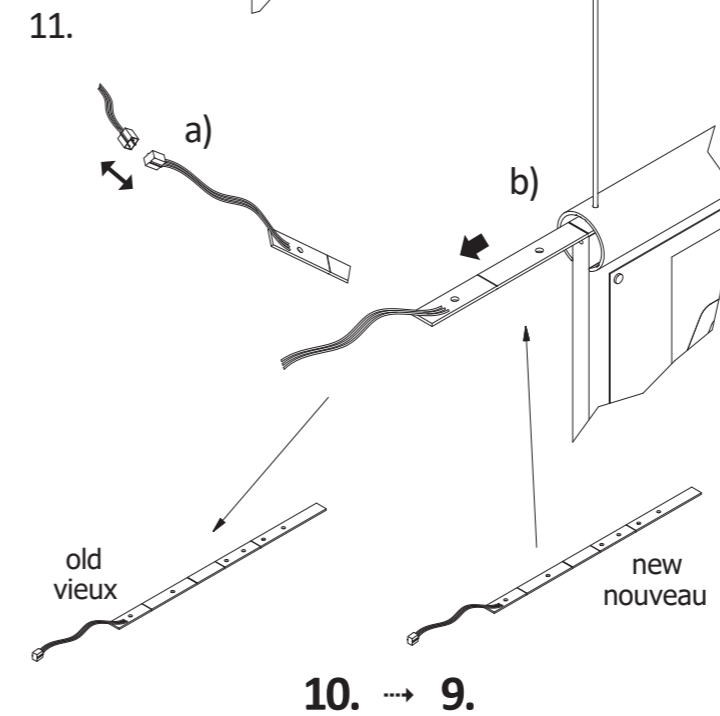
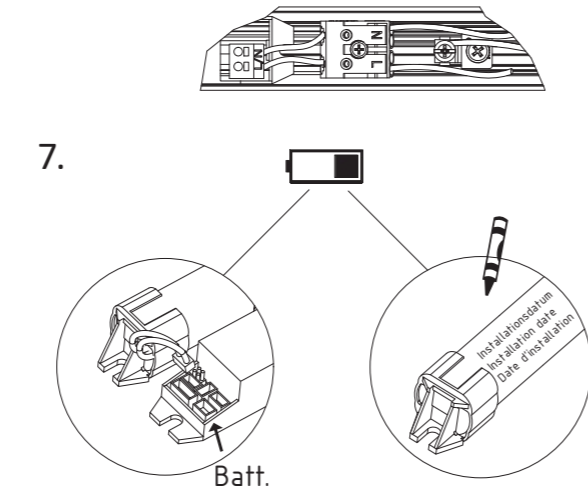
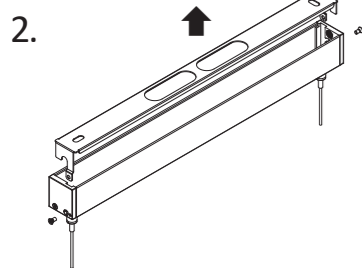
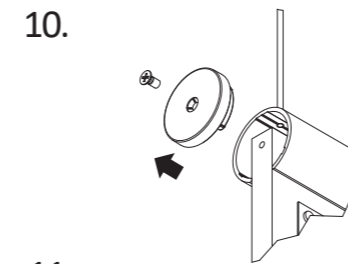
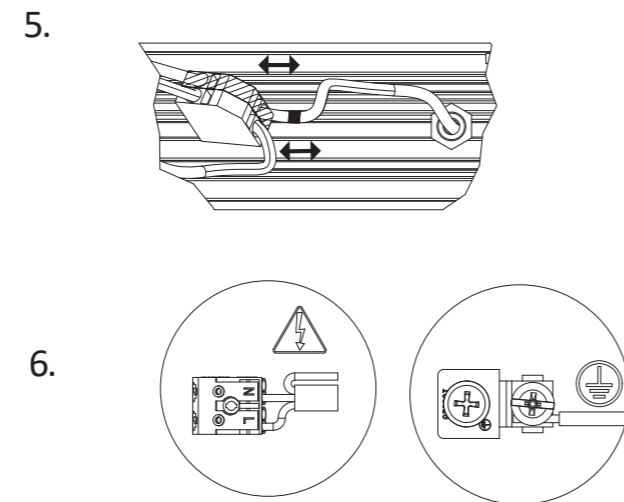
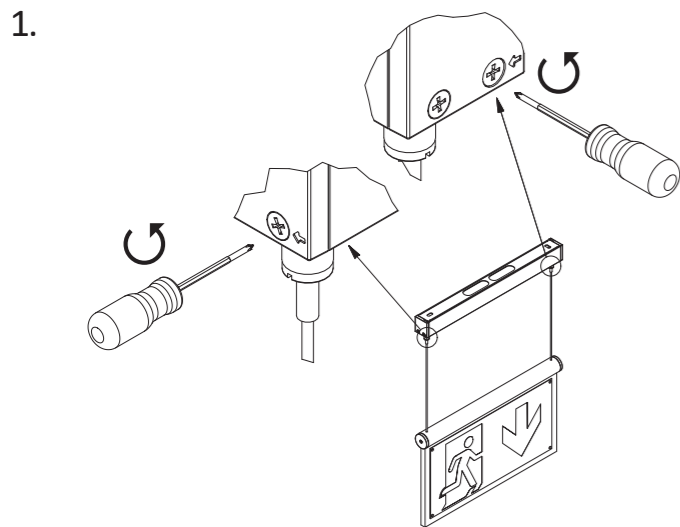
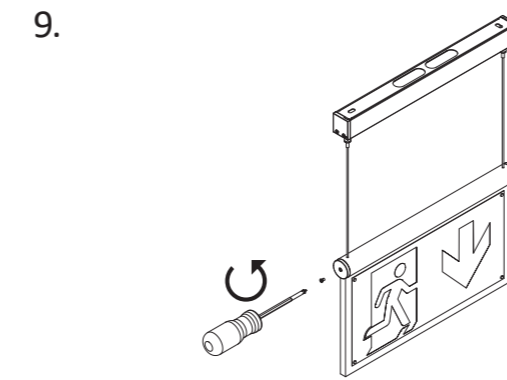
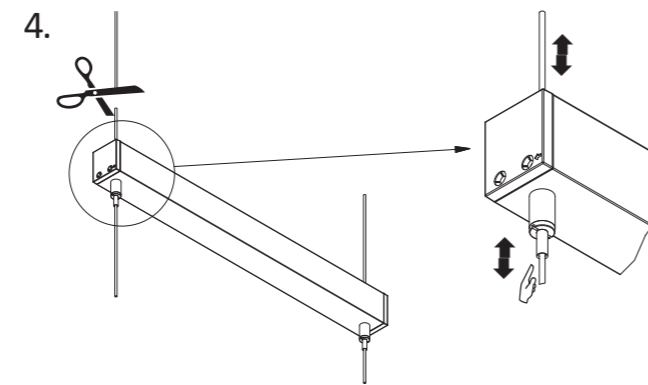
CityLed 170/200/300



Art.-Nr./Item no./N° d'Art. 670327-V04

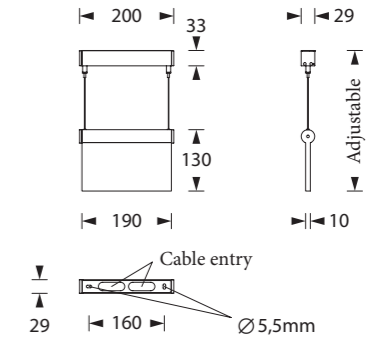


■ Illuminant change Agent

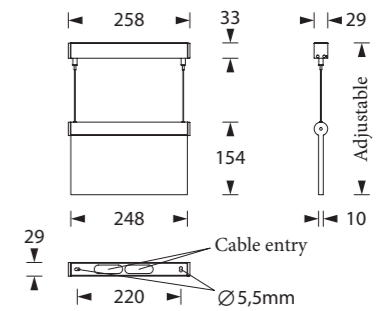


■ Dimensional drawings

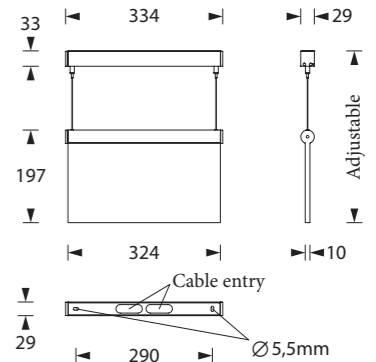
CityLed 170
200 x 163 x 29 mm



CityLed 200
258 x 187 x 29 mm



CityLed 300
334 x 230 x 29 mm



Emergency exit luminaire, Aluminum for cable assembly

This is a professional manual for certified electricians and professional installation companies only. When installing the self contained version follow the additional instructions.

General safety notices

Relevant safety and accident prevention measures, accepted technology regulations and the following safety notices must be observed when installing or carrying out any work on the safety light. In particular, the lamp must be disconnected from the mains and special care must be taken, as it will still be live from the backup system.

Lamp models with monitoring module

For lamp models with monitoring module for individual lamp monitoring, the configuration of individual lamp addresses and additional functions must be carried out in accordance with the images and data provided on the monitoring module or in the enclosed alignment instructions.

Self contained luminaires

For self contained luminaires the replacement of the battery is needed when the battery no longer meets its rated duration of operation after the corresponding recharge period. Note down the installation date on the provided place of the battery. When installing the self contained version follow the additional instructions. Batteries must be recharged 3 months after delivery date at the latest, otherwise the batteries can be damaged due to a total discharge!

Disposal

Please observe current regulations of ElektroG for the disposal and recycling of lamps.

Spare parts

Only use original parts for the replacement of illuminants, electronic components and accumulators (where applicable) to ensure compliance with nominal data!

Attention

Any damage incurred due to non-compliance with this manual will not be covered by the warranty. We accept no liability for consequential damages incurred due to non-compliance. Make sure to read this manual prior to commissioning the product.

Subject to technical changes without notice!



Indication for the assembly of the pictogram foils

Remove the foil from both sides of the light-deflecting pane. By one-sided pictogram panes put the pictogram-foil on the unprinted side of the pane. Press the added pins into the pre-stamped four holes.



¹⁾ Note down the installation date on the provided place of the battery.

²⁾ When installing the self contained version follow the additional instructions.

³⁾ Not for casing design 200 x 163 x 29mm.

Technical specifications

Protection class	IP 40	Safety class	I / 230V	3 x 2,5 mm ²	Connecting terminals (mm ² for double assignment)
			III / 24V	2 x 2,5 mm ²	
Dimensions (WxHxD)	200 x 163 x 29 mm		258 x 187 x 29 mm	334 x 230 x 29 mm	

		Luminaire for CPS		Self contained luminaire 230V
		24V	230V	
Configuration logement 200 x 163 x 29 mm				
Illuminants				-
	Light current net	190lm	190lm	-
Power consumption		3 VA	5 VA	-
Battery current input		74mA	12mA	-
Configuration logement 258 x 187 x 29 mm				
Illuminants				
	Light current net	260lm	260lm	260lm
Luminous flux Emergency / Mains	1h/3h/8h			15%-50% / 100%
	Power consumption	3,5VA	5,5VA	5,5VA
Battery current input		89mA	14mA	
Configuration logement 334 x 230 x 29 mm				
Illuminants				
	Light current net	350lm	350lm	350lm
Luminous flux Emergency / Mains	1h/3h/8h			15%-50% / 100%
	Power consumption	4,5VA	6VA	6VA
Battery current input		119mA	19mA	
alle Gehäuseausführungen / all casing designs / toutes les conceptions du logement				
Voltage supply		24V 50/60Hz / 0Hz	230V 50/60Hz / 220V DC +25/-20%	230V 50/60Hz ³⁾
Rated duration ^{1) 2)}				1h/3h/8h ³⁾
NiMh-Akku Battery NiMh 1h/3h/8h				4,8V 0,8Ah ³⁾
Temperature range		-10°C – +40°C	-10°C – +40°C	
non maintained mode				-0°C – +35°C ³⁾
maintained mode				-5°C – +30°C ³⁾