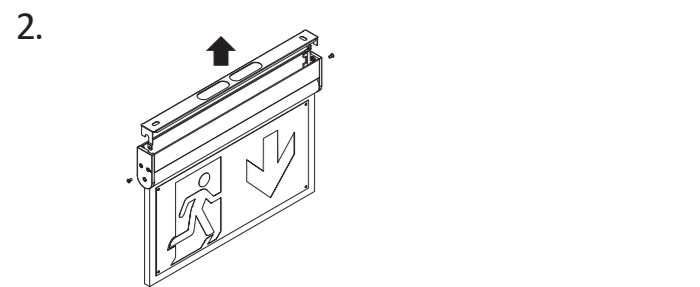
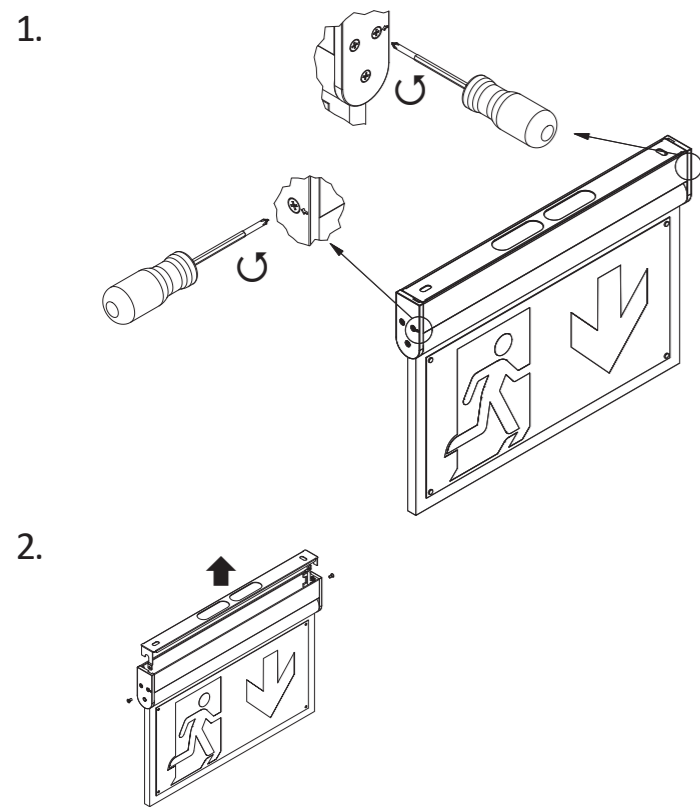
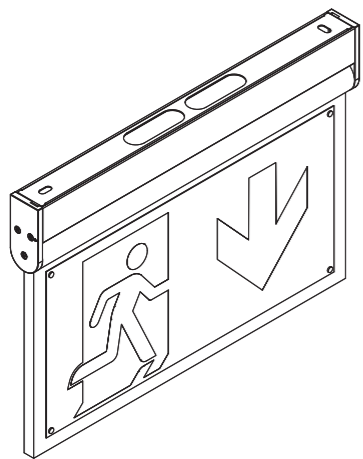
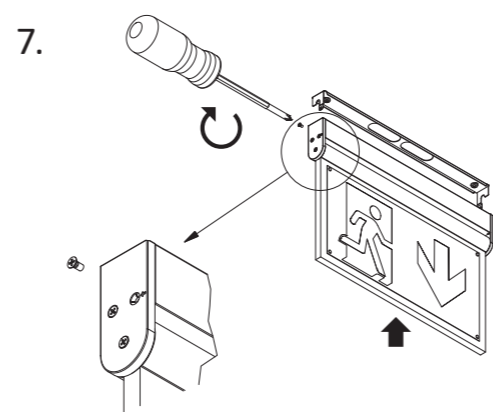
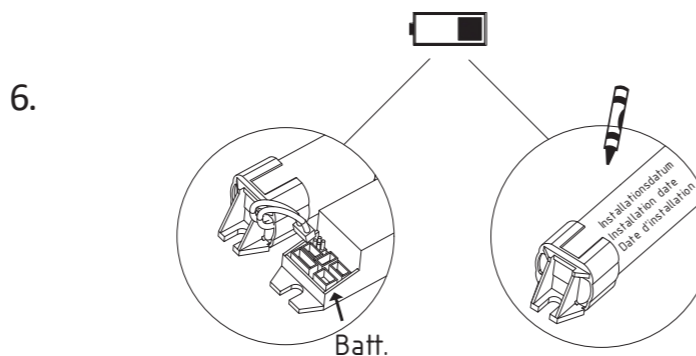
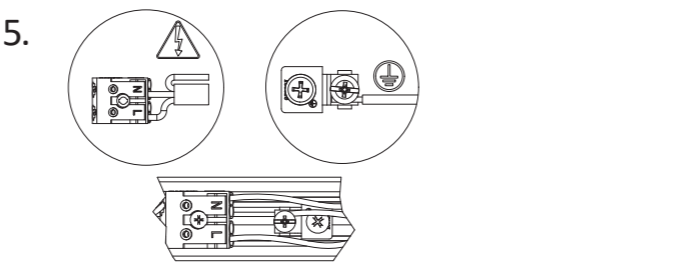
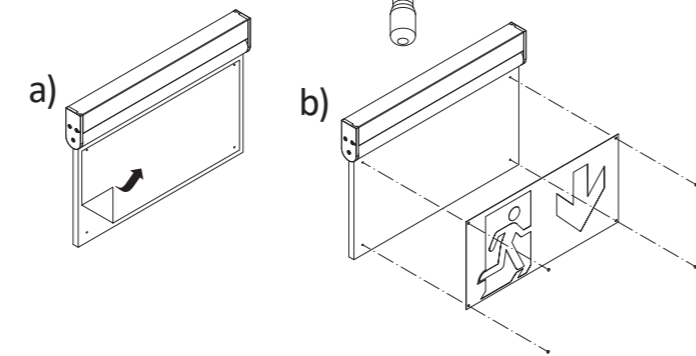
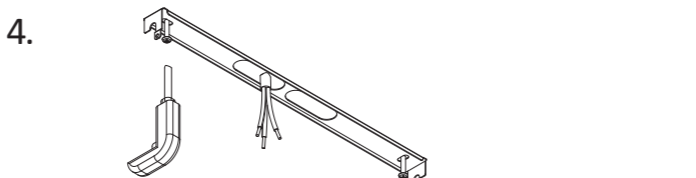
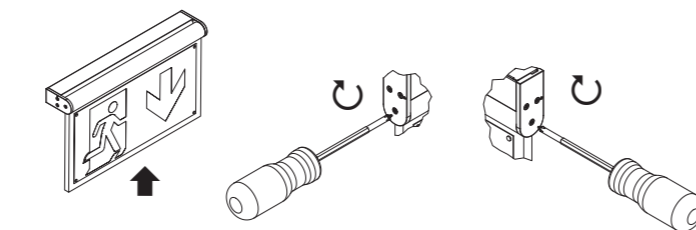
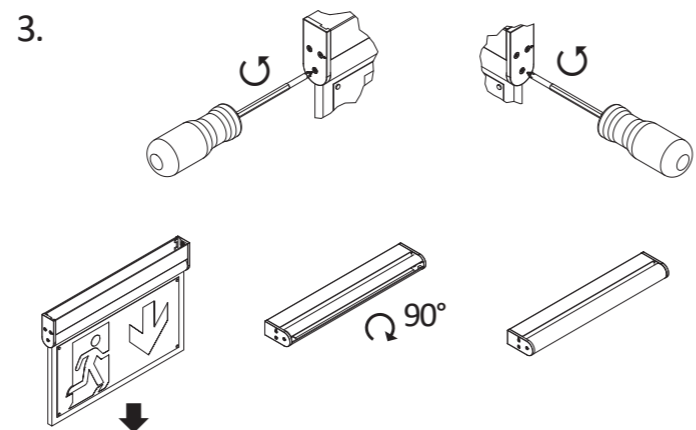


# EFFEKTA

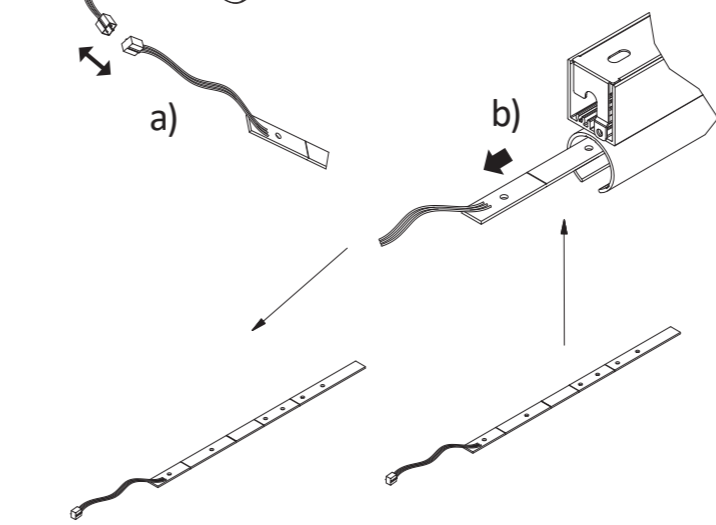
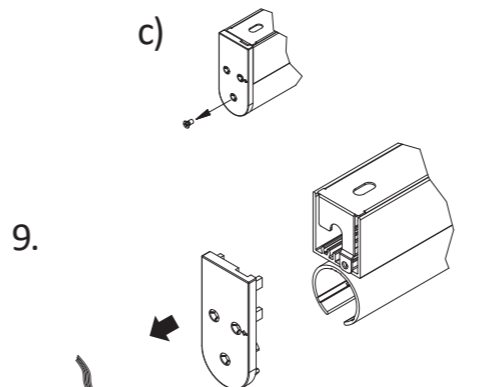
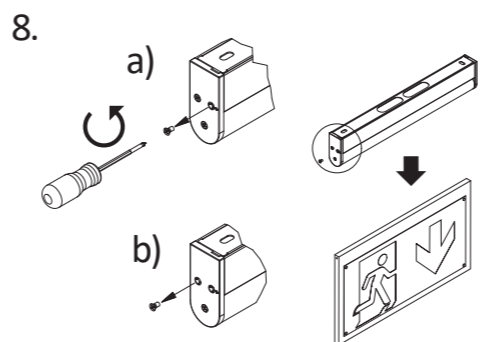
## CITYLED 170 / 200 / 300



Art.-Nr./Item no./N° d'Art. 670328-V05



### Illuminant change



9. → 8.

### Dimensional

Casing design	
Ceiling mounting 200 x 164 x 29mm	Wall mounting 200 x 131 x 63mm

Ceiling mounting 258 x 188 x 29mm	Wall mounting 258 x 154 x 63mm

Ceiling mounting 334 x 231 x 29mm	Wall mounting 334 x 197 x 63mm

**Emergency exit luminaire, Aluminum for ceiling and wall mounting**

This is a professional manual for certified electricians and professional installation companies only. When installing the self contained version follow the additional instructions.

**General safety notices**

Relevant safety and accident prevention measures, accepted technology regulations and the following safety notices must be observed when installing or carrying out any work on the safety light. In particular, the lamp must be disconnected from the mains and special care must be taken, as it will still be live from the backup system.

**Lamp models with monitoring module**

For lamp models with monitoring module for individual lamp monitoring, the configuration of individual lamp addresses and additional functions must be carried out in accordance with the images and data provided on the monitoring module or in the enclosed alignment instructions.

**Self contained luminaires**

For self contained luminaires the replacement of the battery is needed when the battery no longer meets its rated duration of operation after the corresponding recharge period. Note down the installation date on the provided place of the battery. When installing the self contained version follow the additional instructions. Batteries must be recharged 3 months after delivery date at the latest, otherwise the batteries can be damaged due to a total discharge!

**Disposal**

Please observe current regulations of ElektroG for the disposal and recycling of lamps.

**Spare parts**

Only use original parts for the replacement of illuminants, electronic components and accumulators (where applicable) to ensure compliance with nominal data!

**Attention**

Any damage incurred due to non-compliance with this manual will not be covered by the warranty. We accept no liability for consequential damages incurred due to non-compliance. Make sure to read this manual prior to commissioning the product.

*Subject to technical changes without notice!*



**Indication for the assembly of the pictogram foils**

Remove the foil from both sides of the light-deflecting pane. By one-sided pictogram panes put the pictogram-foil on the unprinted side of the pane. Press the added pins into the pre-stamped four holes.

<sup>1)</sup> Note down the installation date on the provided place of the battery.

<sup>2)</sup> When installing the self contained version follow the additional instructions.

<sup>3)</sup> Not for casing design 200 x 164 x 29mm and 200 x 131 x 63mm.

**Technische Daten**

**Technical specifications**

**Caractéristiques techniques**

Protection class IP 40 Safety class I / 230V 3 x 2,5 mm<sup>2</sup> Connecting terminals (mm<sup>2</sup> for double assignment)

Dimensions (WxHxD) ceiling 200 x 164 x 29mm 258 x 188 x 29mm 334 x 231 x 29mm Wall 200 x 131 x 63mm 258 x 154 x 63mm 334 x 197 x 63mm



		Luminaire for CPS		Self contained luminaire 230V
		24V	230V	
		<b>CityLed 170</b>		
Illuminants		1,5W LED	1,5W LED	-
Light current net		190lm	190lm	-
Power consumption		3 VA	5 VA	-
Battery current input		74mA	12mA	-
		<b>CityLed 200</b>		
Illuminants		2W LED	2W LED	2W LED
Light current net Flux		260lm	260lm	260lm
Emergency / Mains	1h / 3h / 8h			15%-50% / 100%
Power consumption		3,5VA	5,5VA	5,5VA
Battery current input		89mA	14mA	
		<b>CityLed 300</b>		
Illuminants		3W LED	3W LED	3W LED
Light current net Flux		350lm	350lm	350lm
Emergency / Mains	1h / 3h / 8h			15%-50% / 100%
Power consumption		4,5VA	6VA	6VA
Battery current input		119mA	19mA	
		<b>All models</b>		
Voltage supply		24V 50/60Hz / 0Hz	230V 50/60Hz / 220V DC +25/-20%	230V 50/60Hz <sup>3)</sup>
Rated duration <sup>1) 2)</sup>				1h / 3h / 8h <sup>3)</sup>
NiMh-Akku Battery NiMh 1h / 3h / 8h				4,8V 0,8Ah <sup>3)</sup>
Temperature range		-10°C – +40°C	-10°C – +40°C	
non maintained mode				-0°C – +35°C <sup>3)</sup>
maintained mode				-5°C – +30°C <sup>3)</sup>